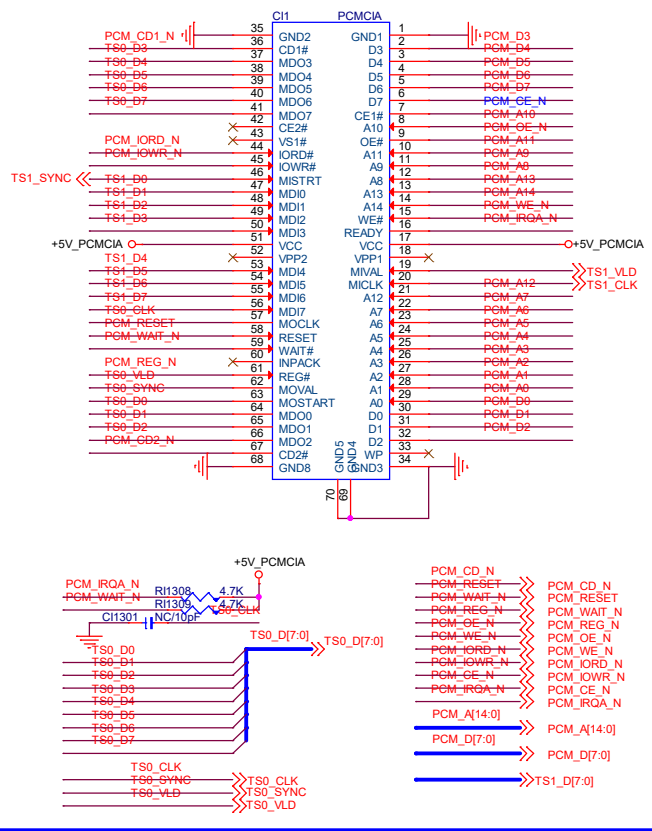
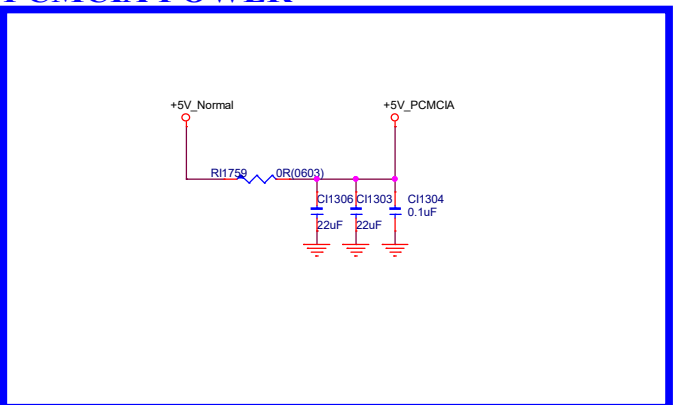


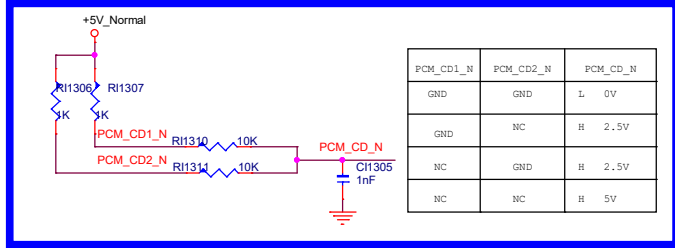
PCMCIA

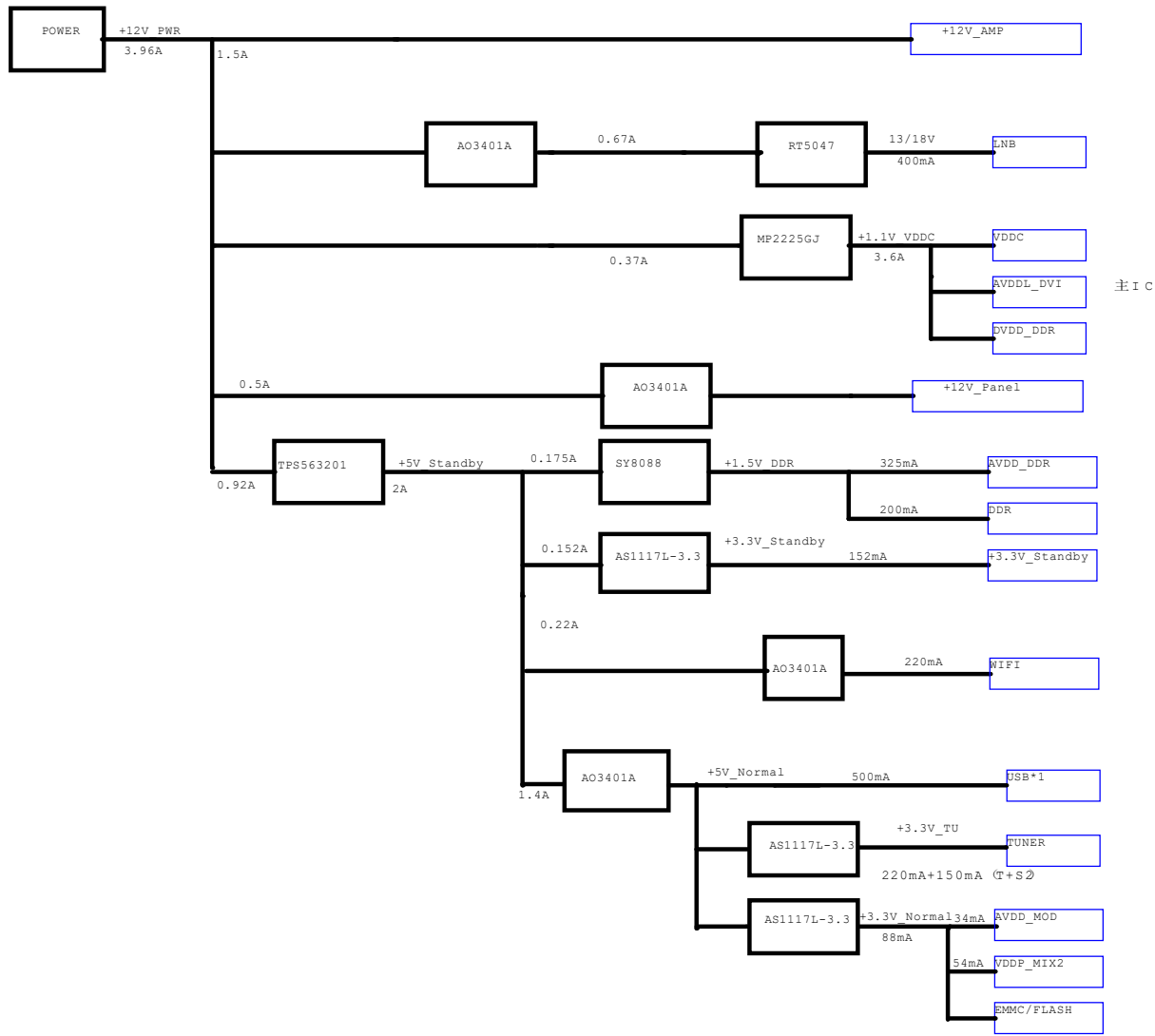


PCMCIA POWER



CARD DETECT

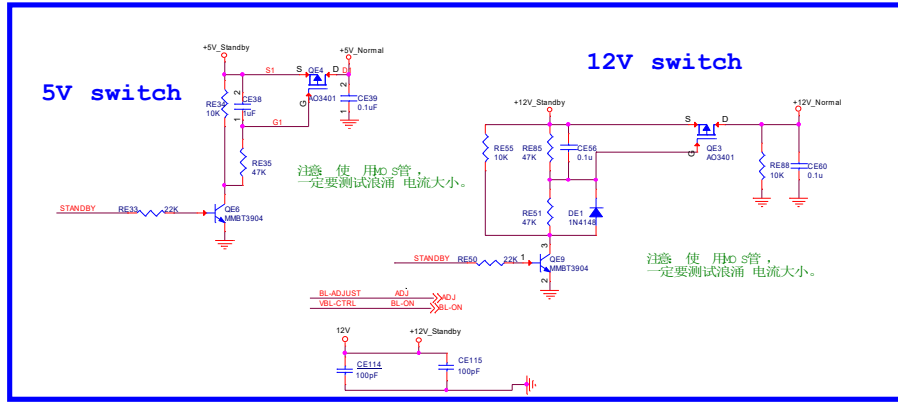
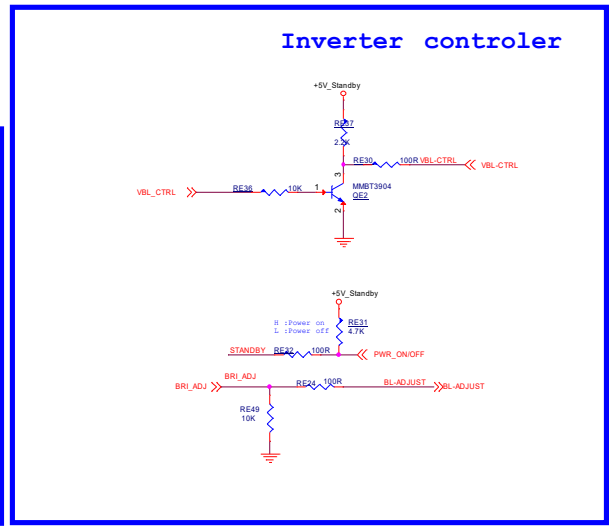
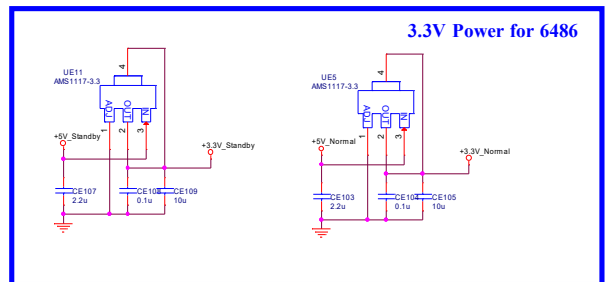
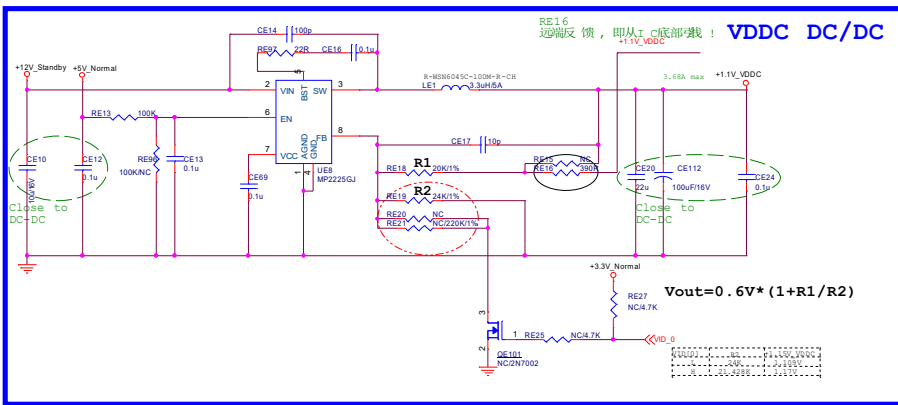
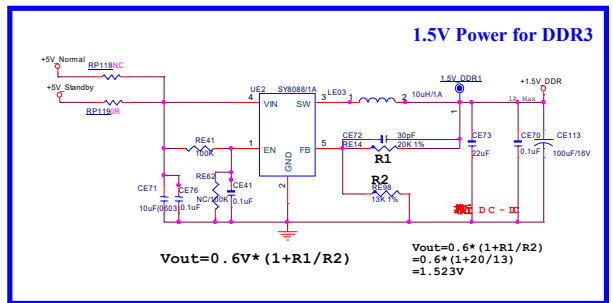
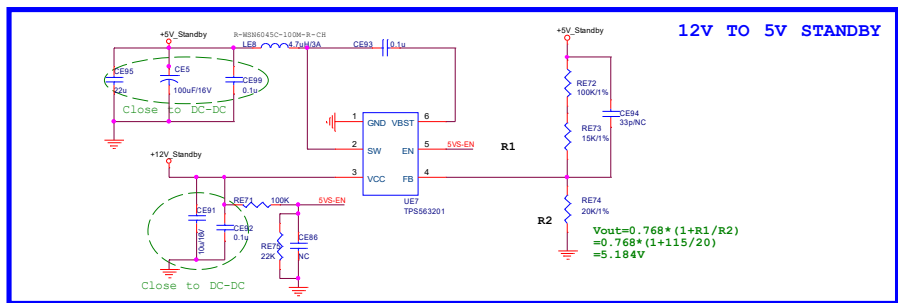


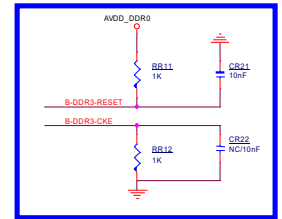
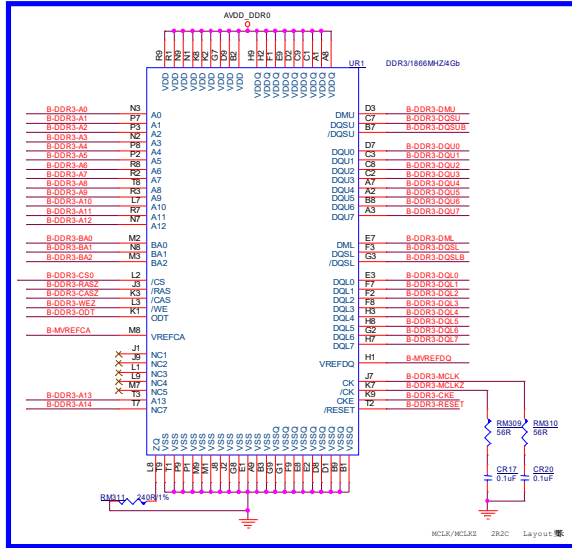
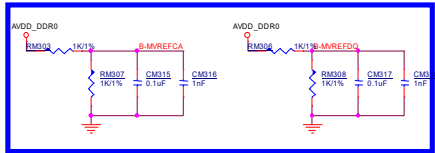
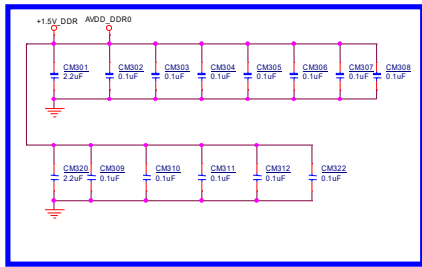
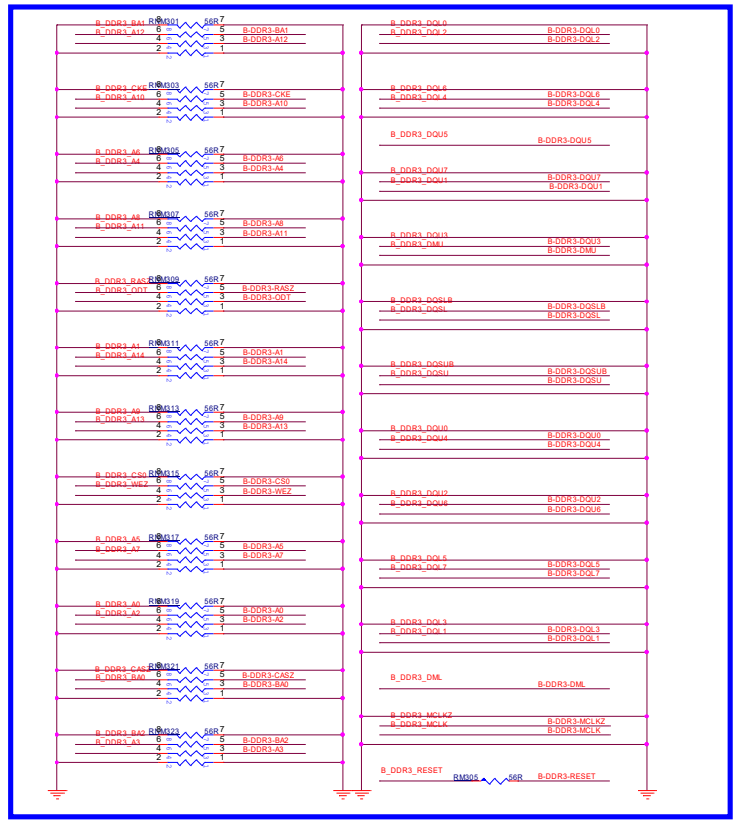
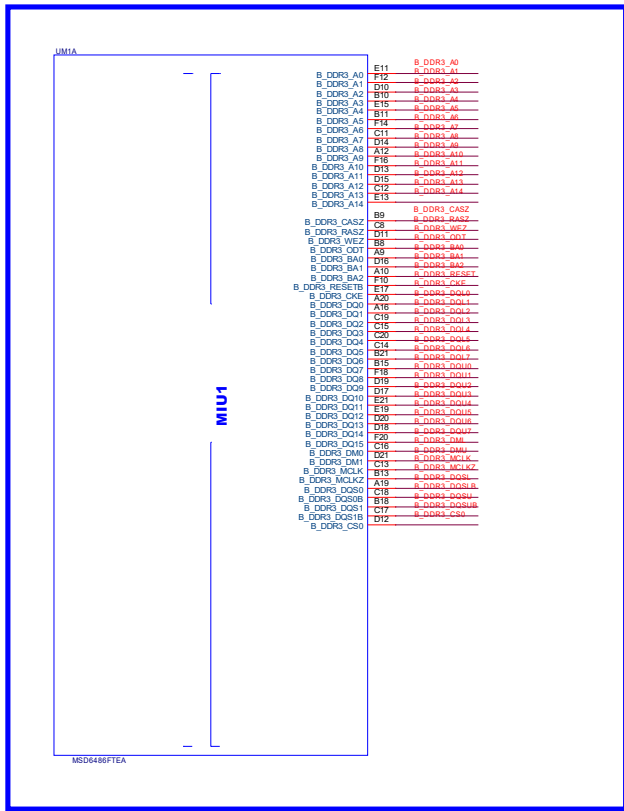


主IC

CHANGHONG 长虹 NFTV-MSD6486

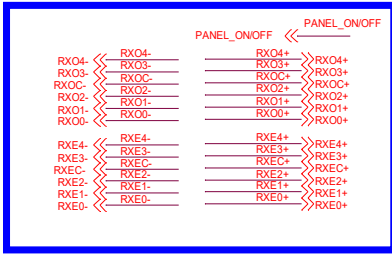
Size	Document Number	Rev
Custom<Doc>		<RevCo
Date: Friday, February 01, 2019	Sheet 1 of 1	



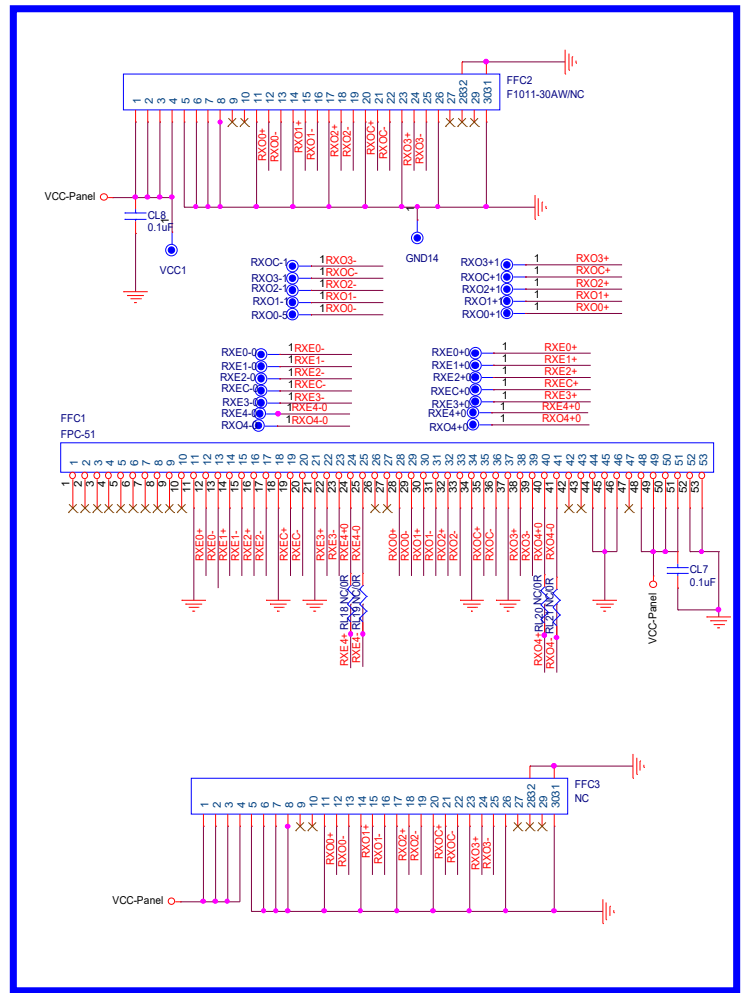
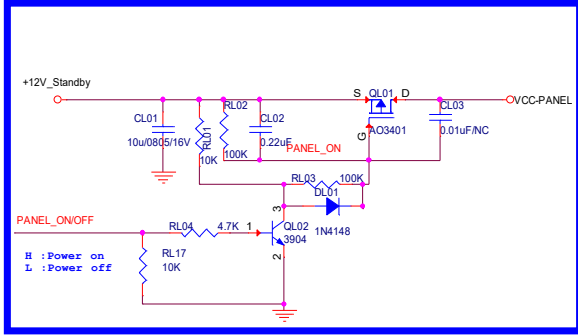


CHANGHONG 长虹 NFTV-MSD6486

Net



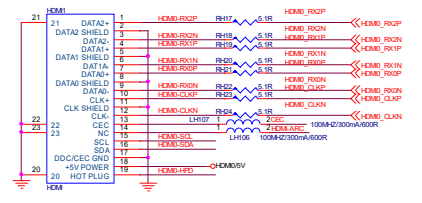
Power for panel



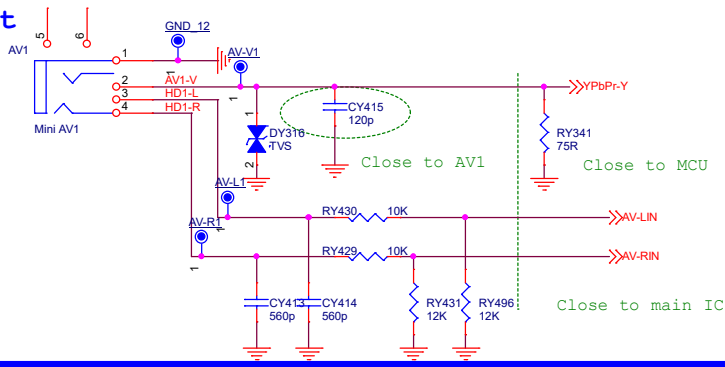
CHANGHONG 长虹 NFTV-MSD6486

Size: Document Number
 Custom-Doc
 Date: Friday, February 01, 2018 Sheet 1 of 1 Rev <RevCode>

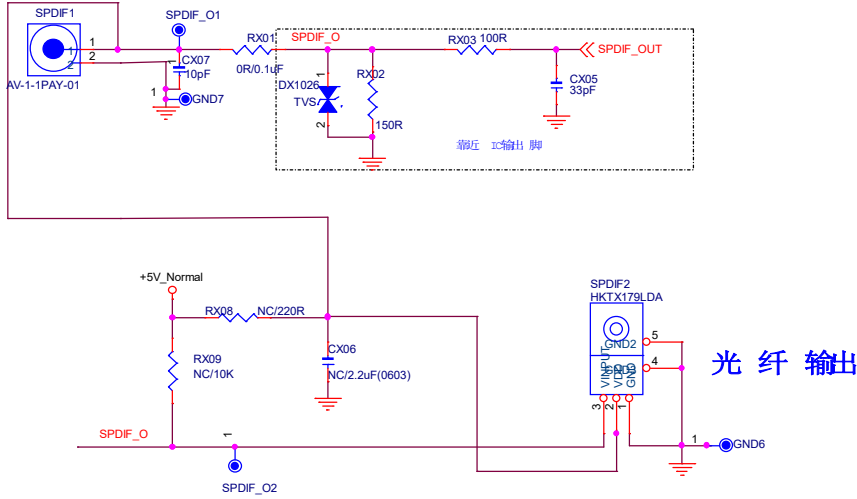
HDMI 1 (ARC)



AV Input



SPDIF

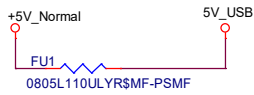


光纤输出

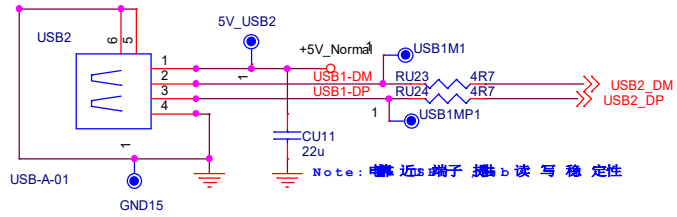
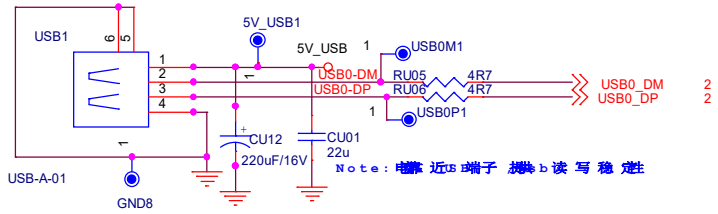
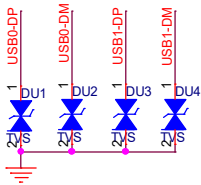
CHANGHONG 长虹 NFTV-MSD6486

Size	Document Number	Rev
Custom<Doc>		<Rev Code>
Date:	Friday, February 01, 2019	Sheet 1 of 1

USB



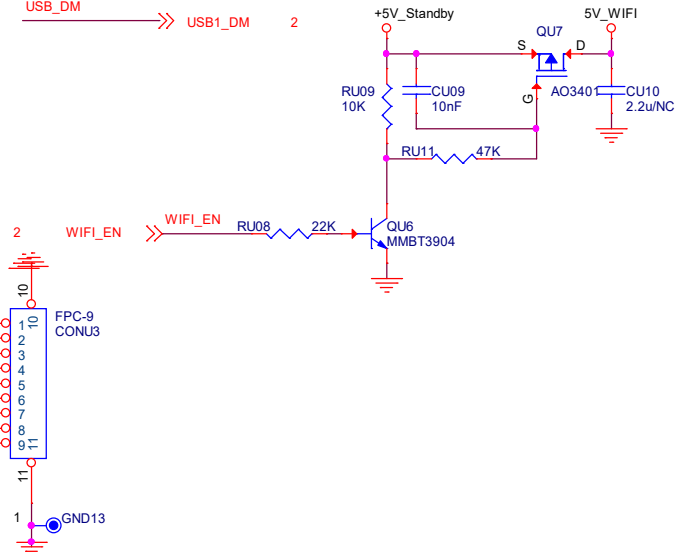
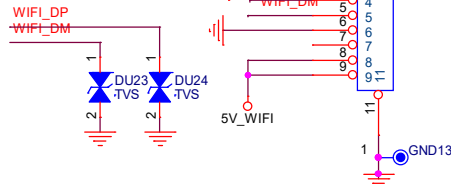
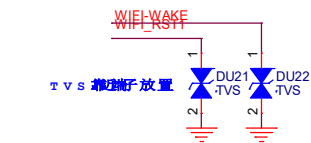
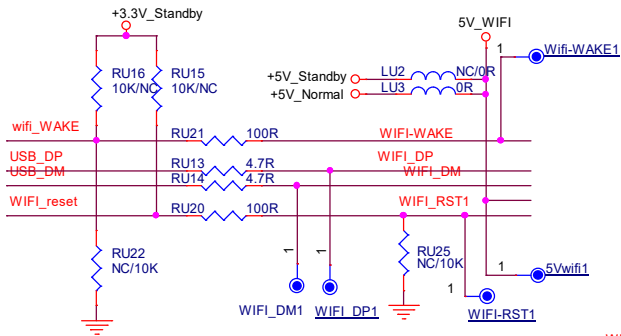
TVS 靠端子放置



WiFi

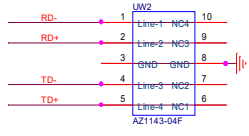
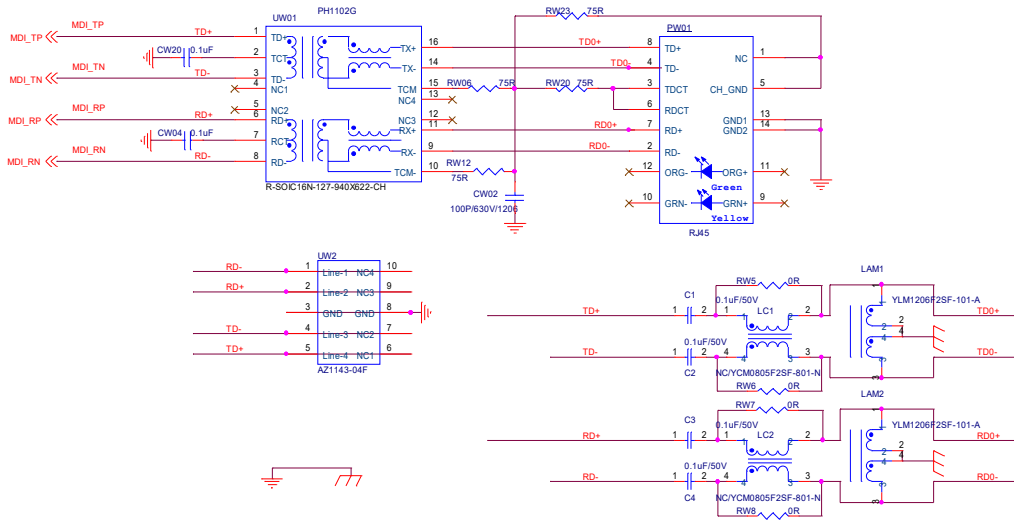
EQUAL LENGTH and DIFFERENTIAL IMPEDANCE 90ohm

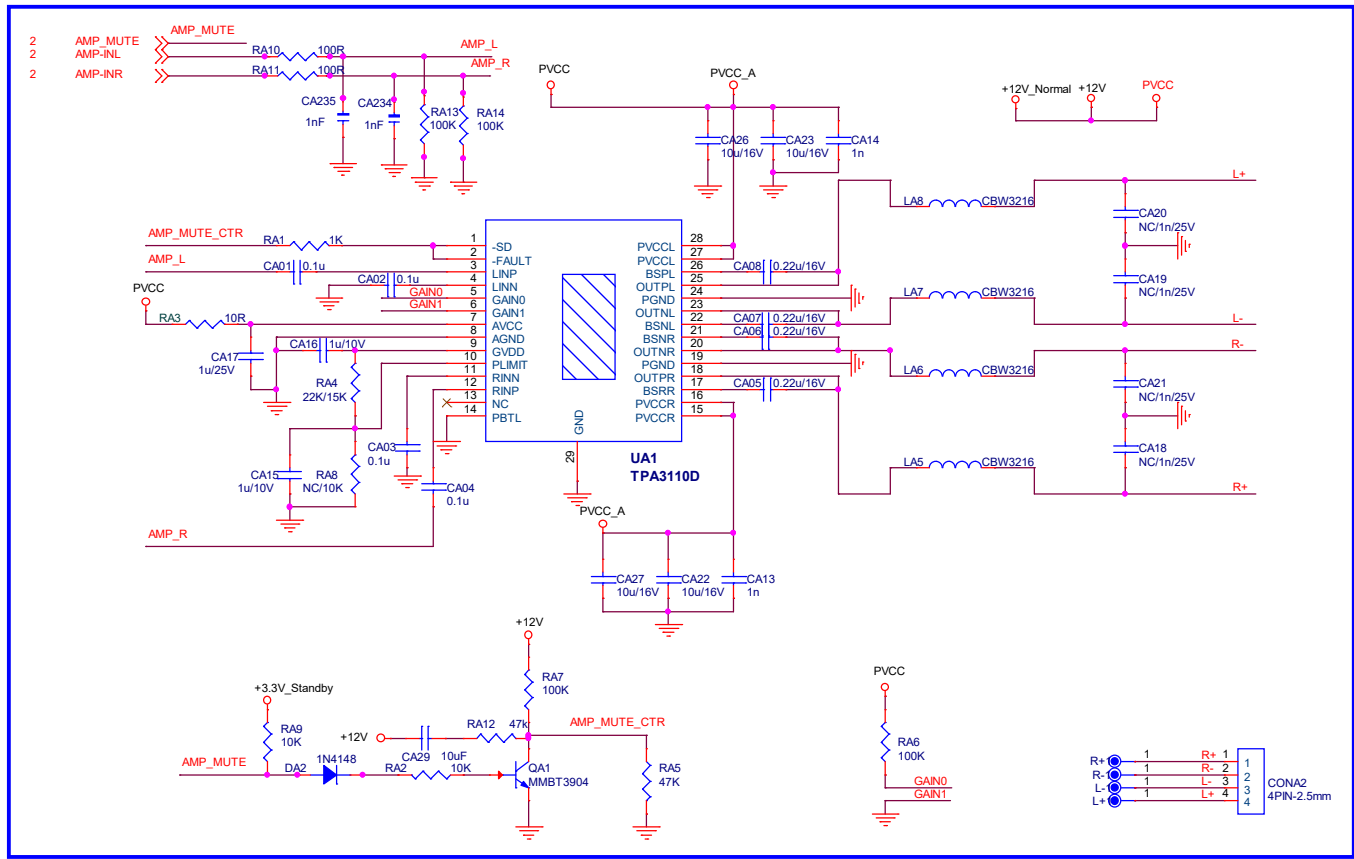
- WiFi_reset >> WiFi-Reset
- wifi_WAKE >> BT_WAKE
- USB_DP >> USB1_DP 2
- USB_DM >> USB1_DM 2



CHANGHONG 长虹 NFTV-MSD6486

Size	Document Number	Rev
Custom<Doc>		<RevCod
Date:	Friday, February 01, 2019	Sheet 1 of 1

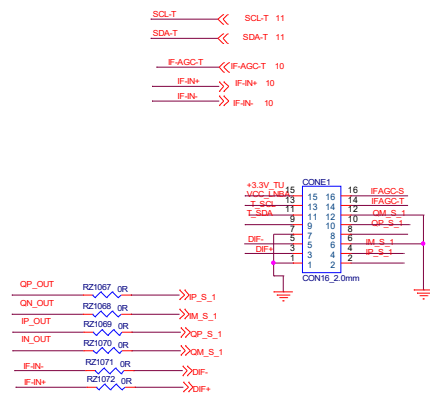
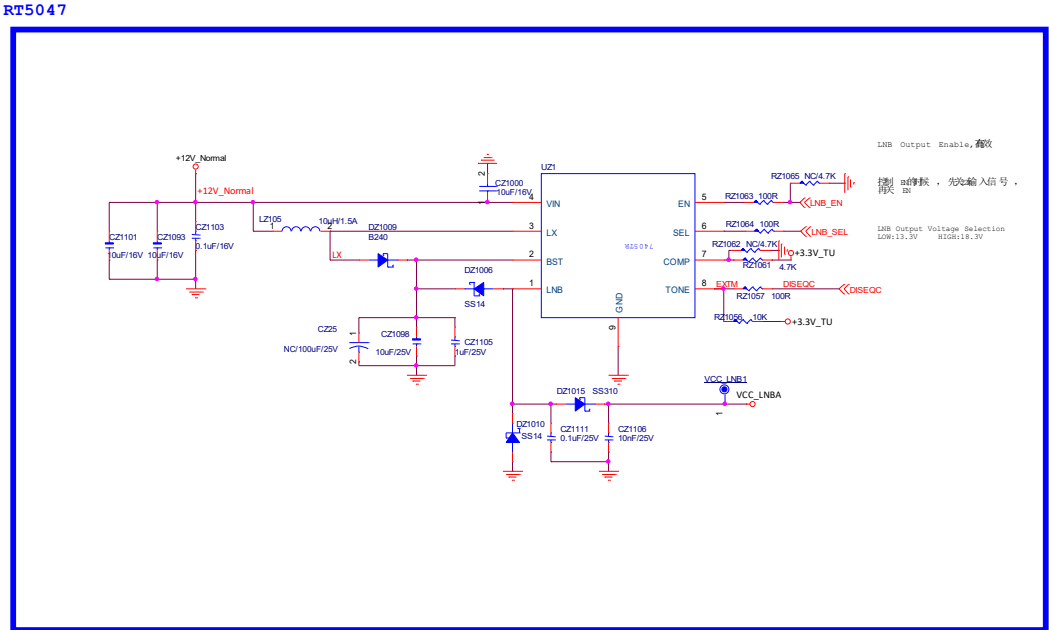
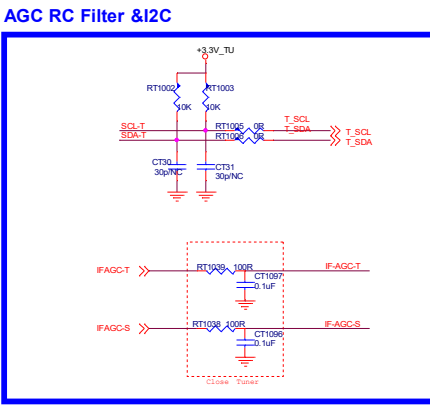
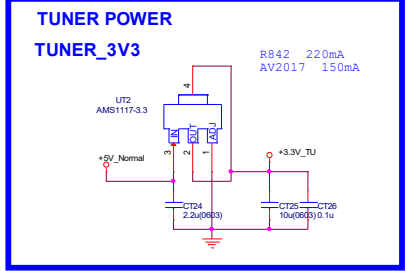
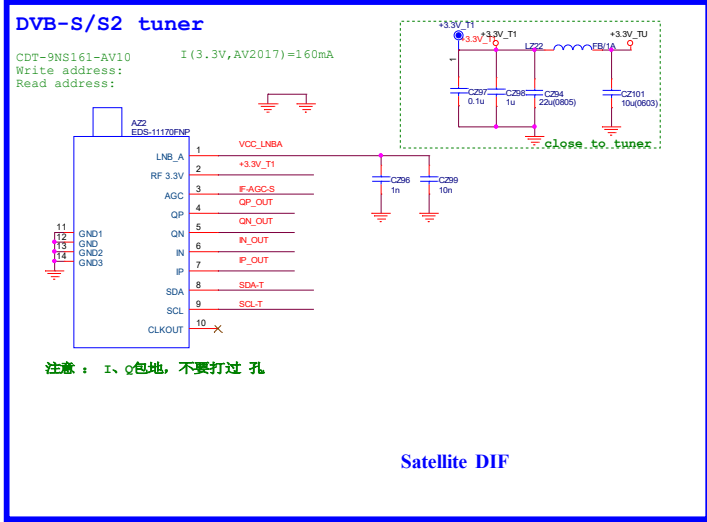




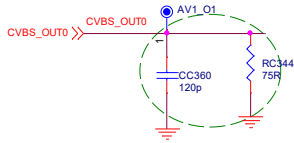
Headphone Output

CHANGHONG 长虹 NFTV-MSD6486

Size: Document Number
Custom<Doc> Rev
Date: Friday, February 01, 2019 Sheet 1 of 1



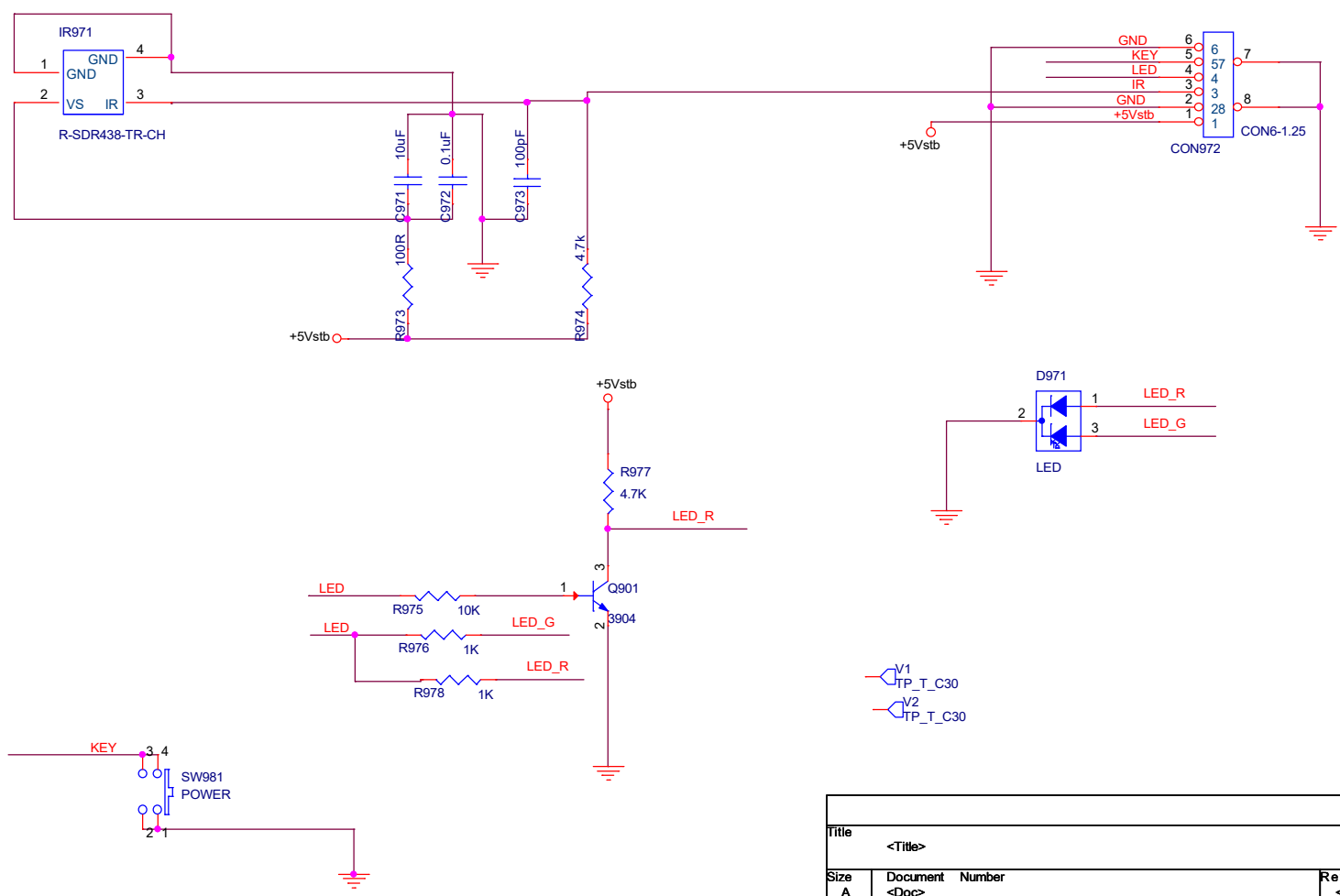
AV OUT



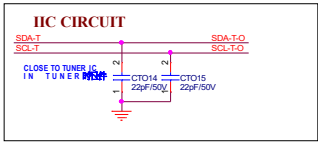
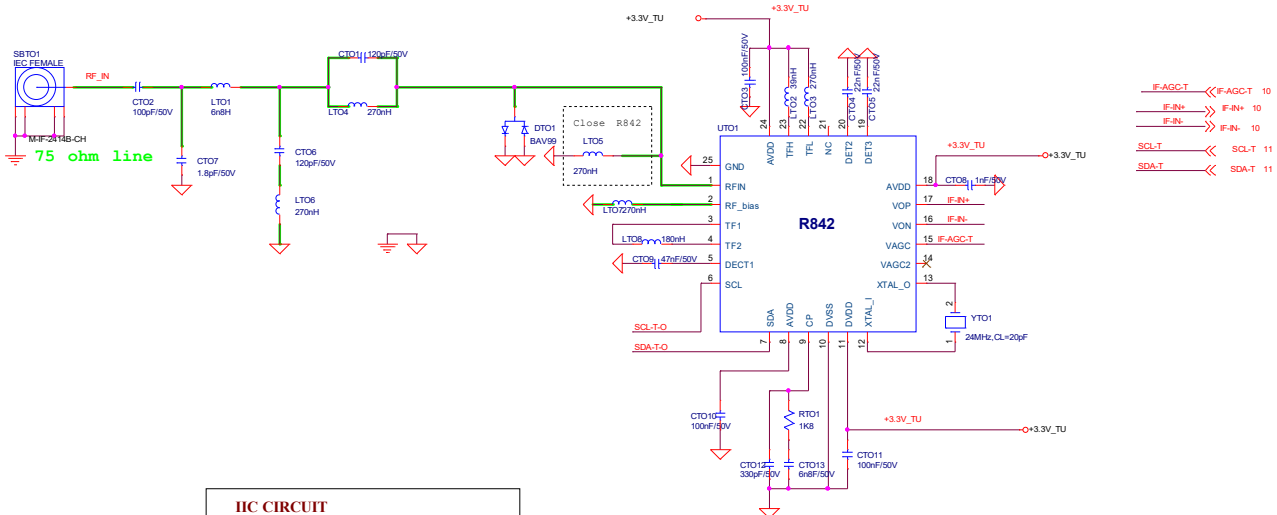
Close to main IC
filter EMC_100M

CHANGHONG 长虹 NFTV-MSD6486

Size	Document	Number	Rev
Custom	<Doc>		<Rev Code>
Date: Friday, February 01, 2019			Sheet 1 of 1

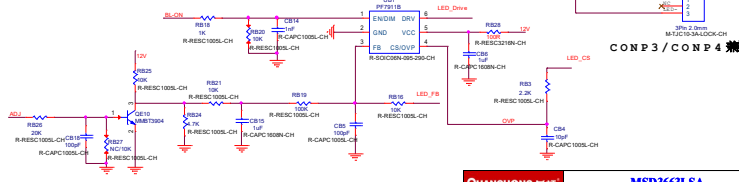
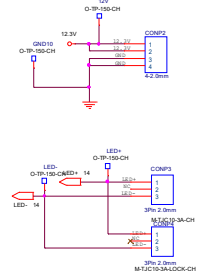
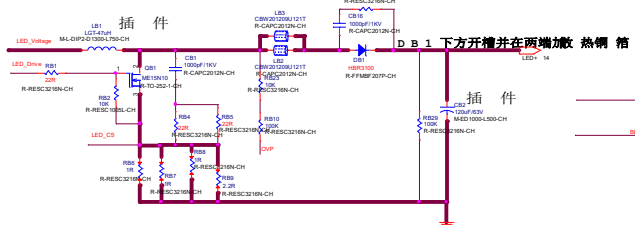
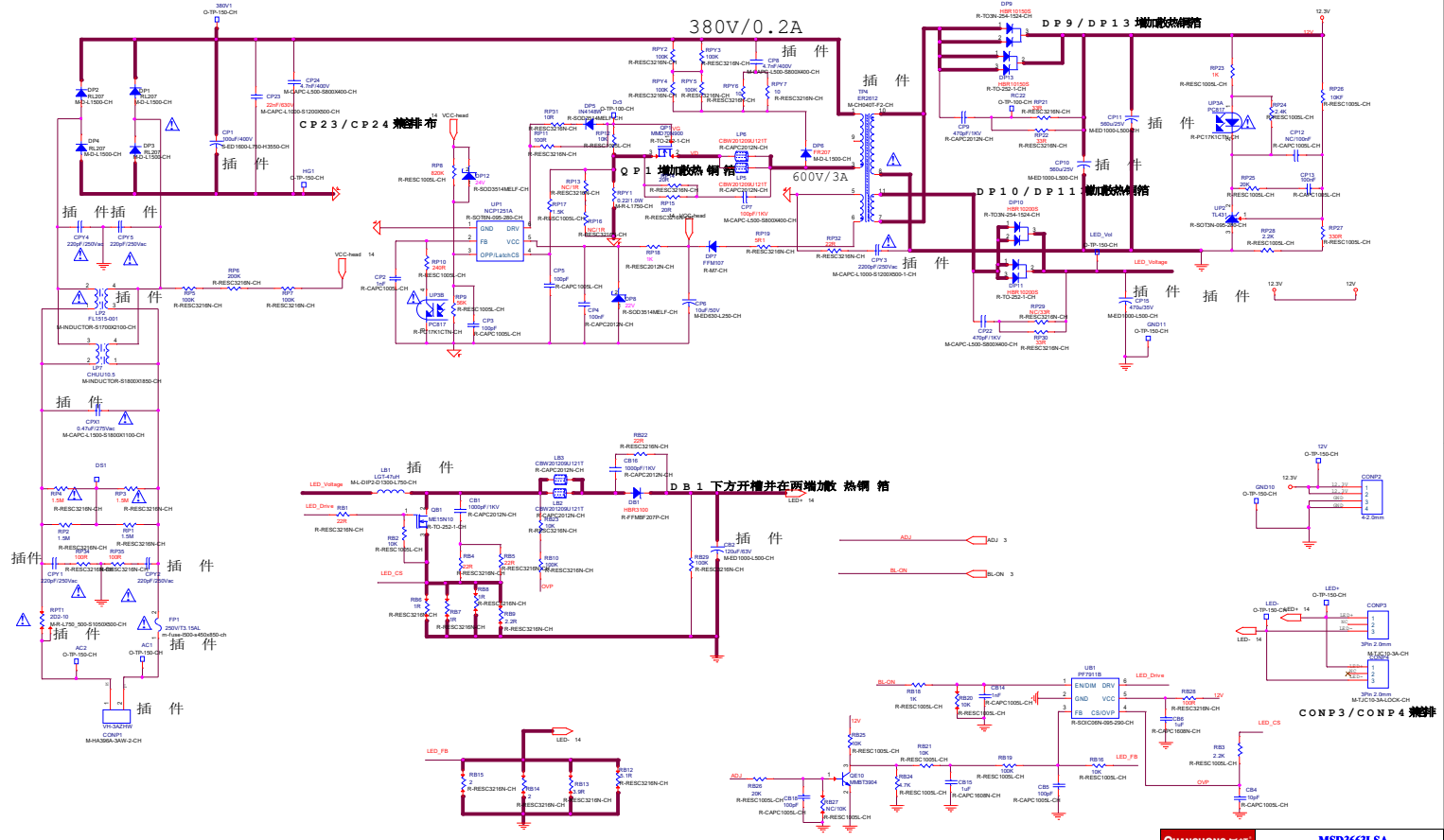


Title			<Title>
Size	Document	Number	Rev
A	<Doc>		<RevCo
Date:		Friday, February 01, 2019	Sheet 1 of 1



CHANGHONG 长虹		MSD3663LSA	
Schematic Name	<i>T2+T+C Tuner ONBOARD</i>	Rev	<i>VER1.0</i>
Size	Custom	Sheet	11 of 14
Date:	Friday, February 01, 2019		

380V/0.2A



CHANGHONG 长虹		MSD3663LSA	
Schematic Name	POWER	Rev	VERI 0
Size	Sheet 11 of 14	Date:	Friday, February 01, 2019
Custom			