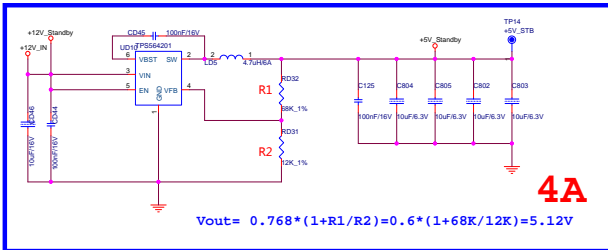


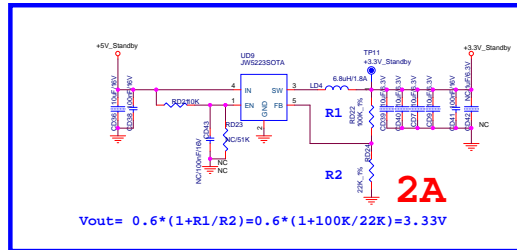
5V Standby



4A

$$V_{out} = 0.768 * (1 + R1/R2) = 0.6 * (1 + 68K/12K) = 5.12V$$

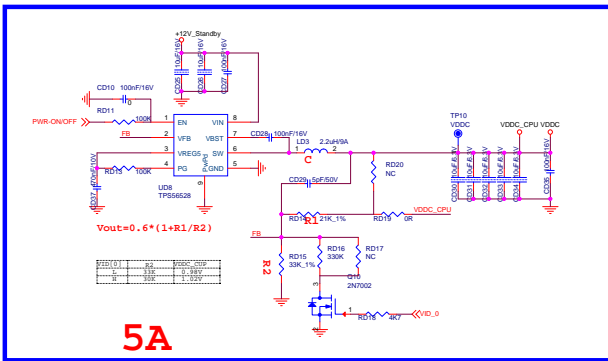
3.3V Standby



2A

$$V_{out} = 0.6 * (1 + R1/R2) = 0.6 * (1 + 100K/22K) = 3.33V$$

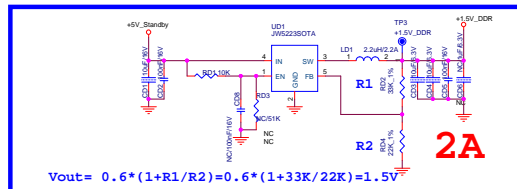
VDDC Power VDDC_CPU Power



5A

$$V_{out} = 0.6 * (1 + R1/R2)$$

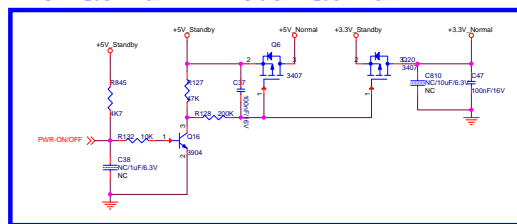
DDR Power



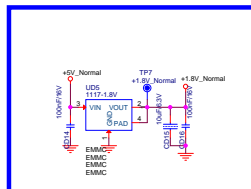
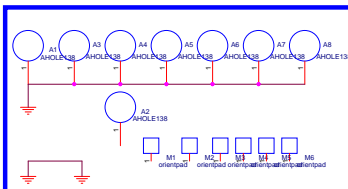
2A

$$V_{out} = 0.6 * (1 + R1/R2) = 0.6 * (1 + 33K/22K) = 1.5V$$

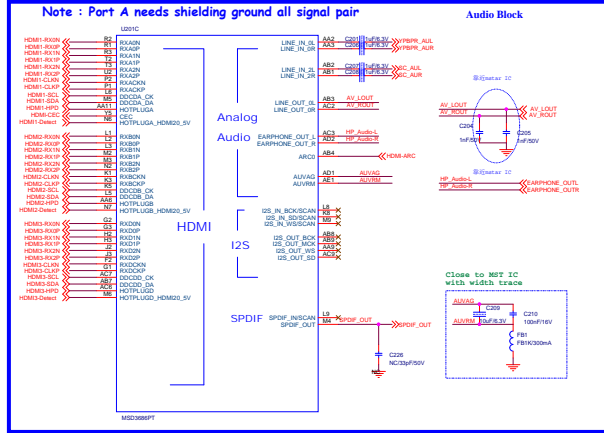
5V Normal 3.3V Normal



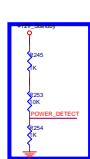
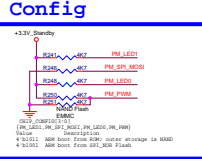
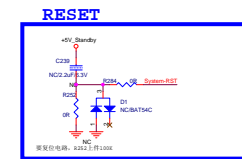
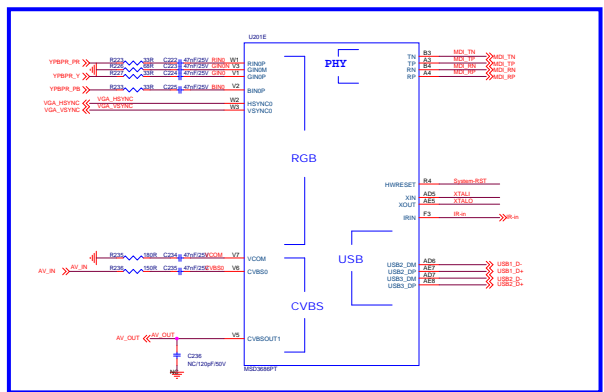
1.8V Normal



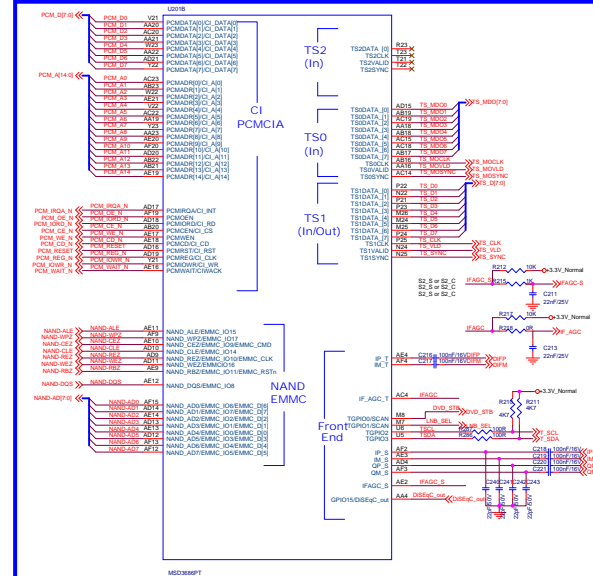
HDMI/Audio Block



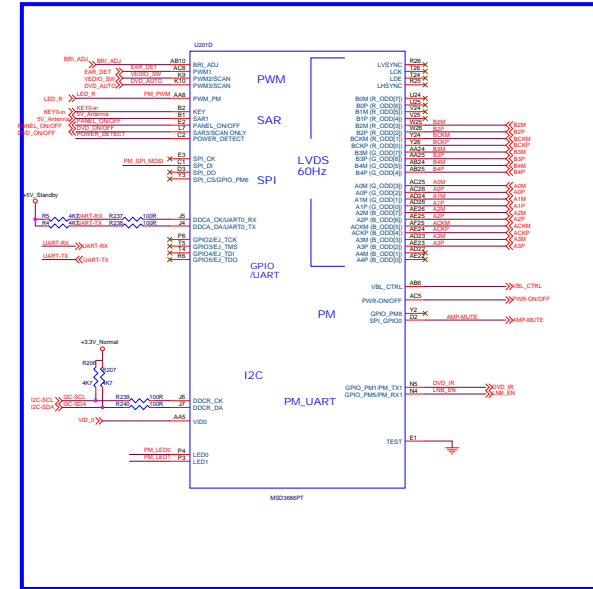
RGB/CVBS/PHY/USB Block



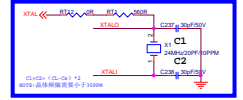
PCMCIA/TS/NAND/FE



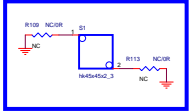
LVDS/GPIO

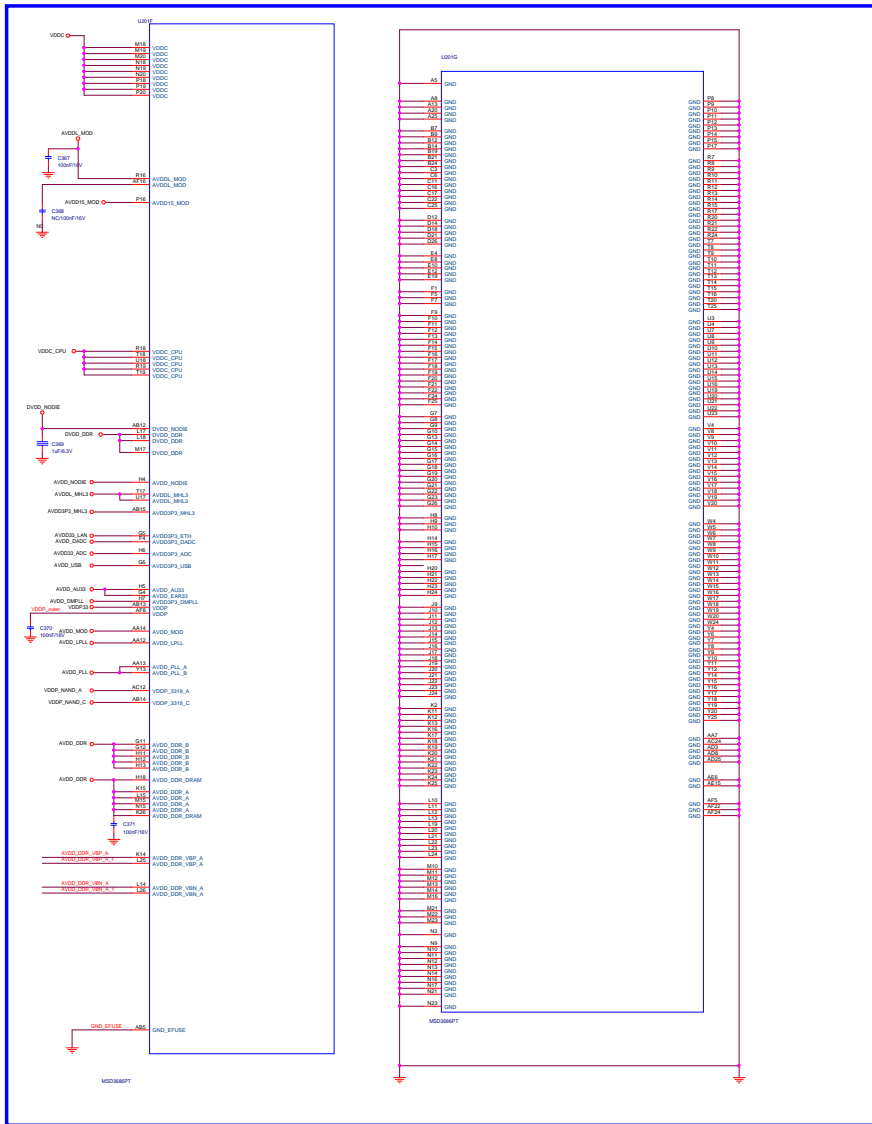


Crystal

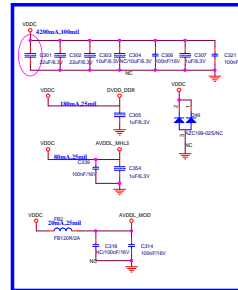


Heat Sink

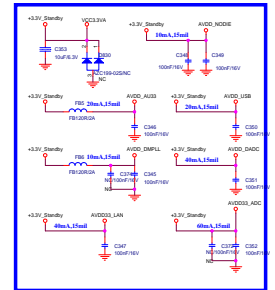




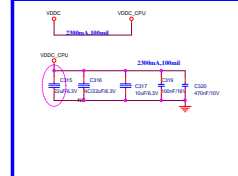
CORE Power



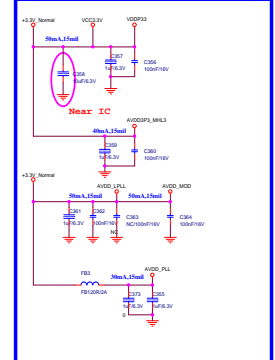
Standby Power 3.3V



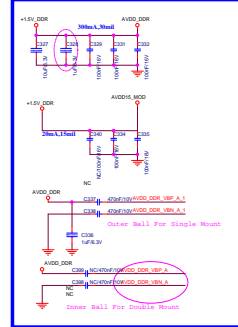
CPU Power



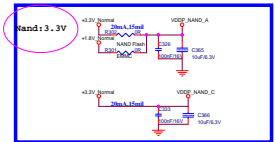
Normal Power 3.3V



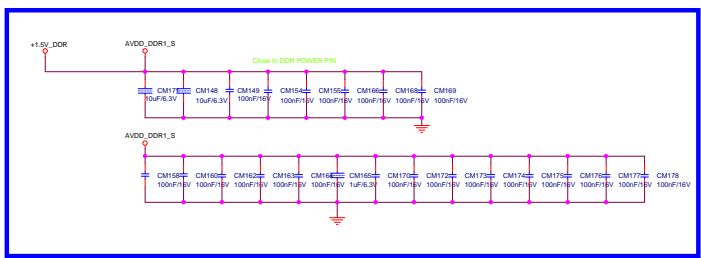
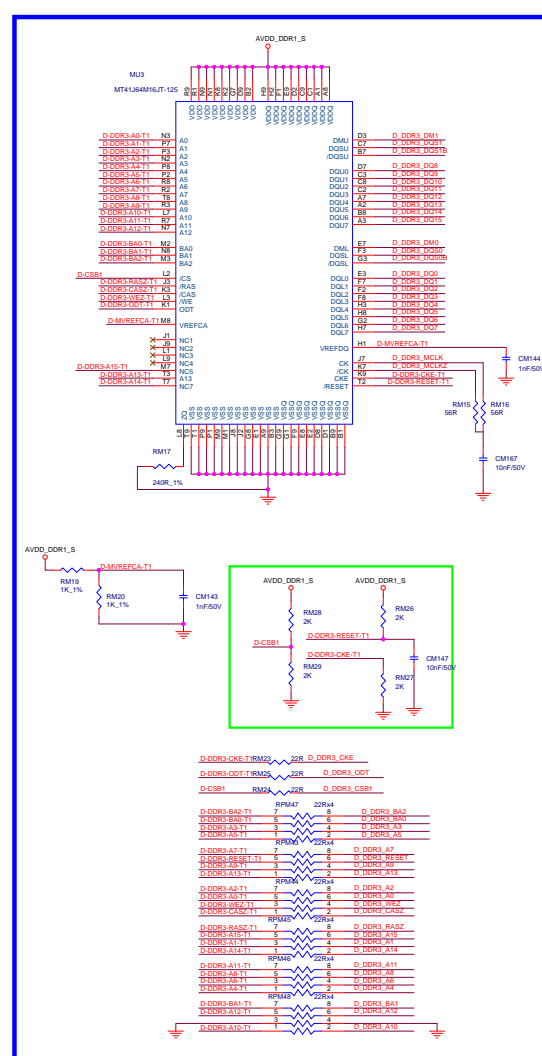
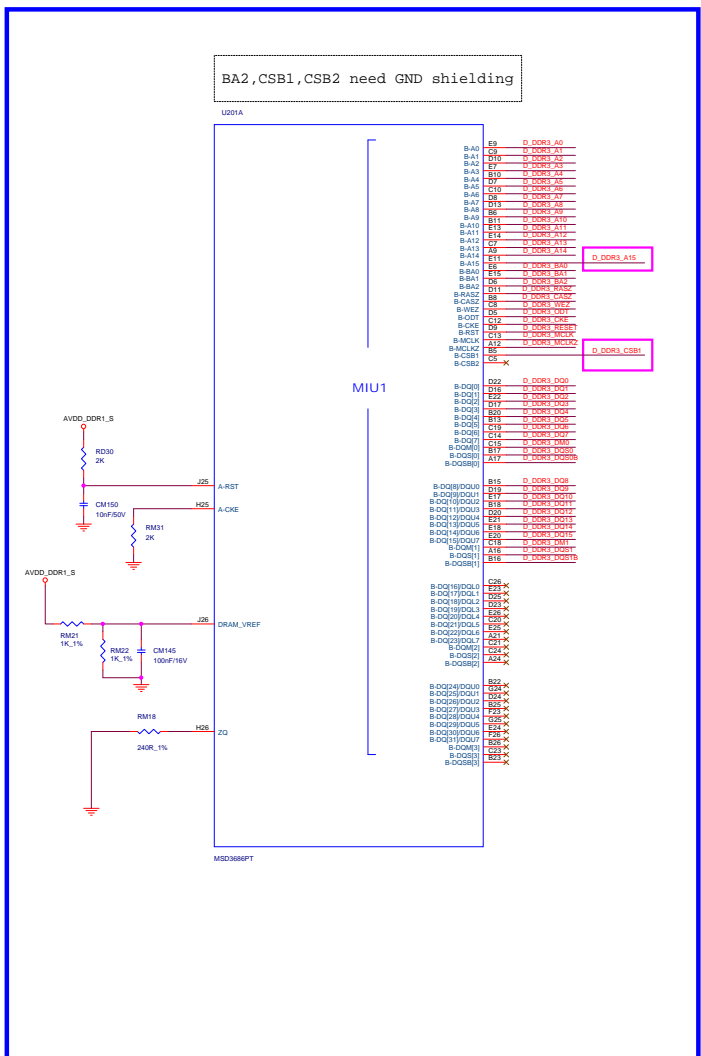
DDR3



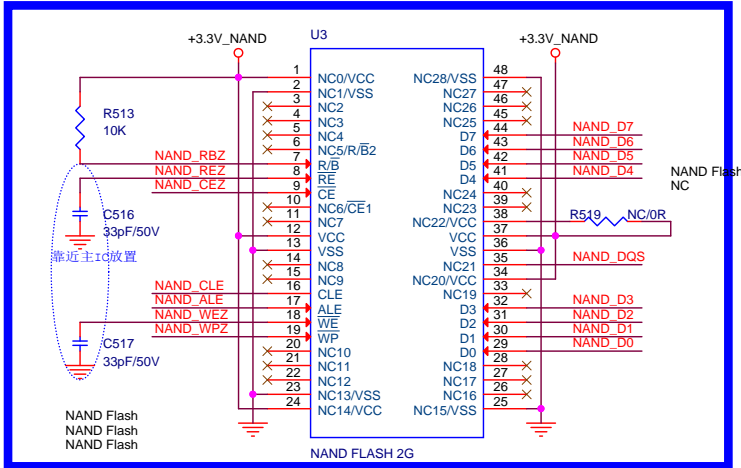
Nand Power



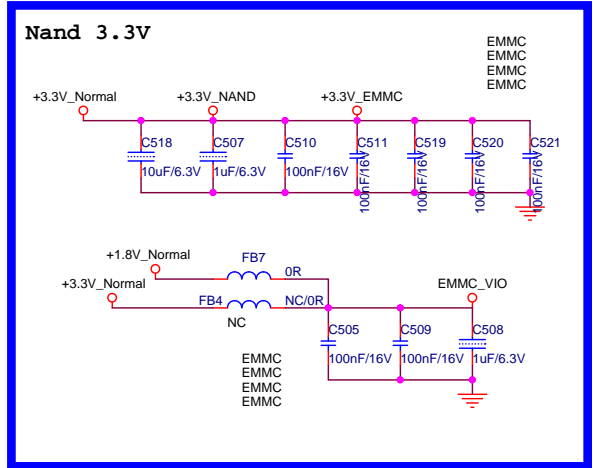
BA2,CSB1,CSB2 need GND shielding



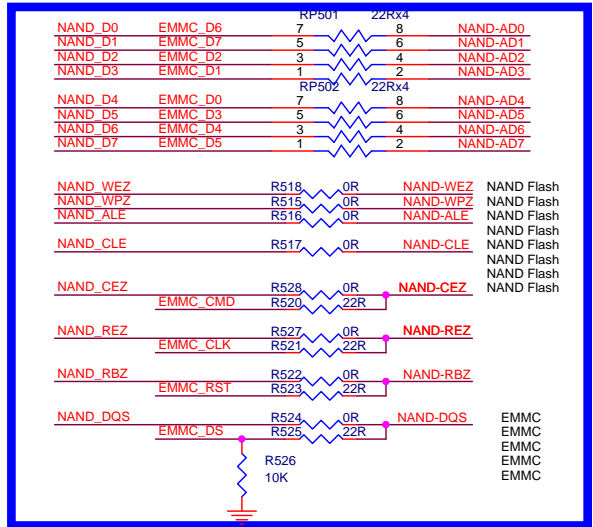
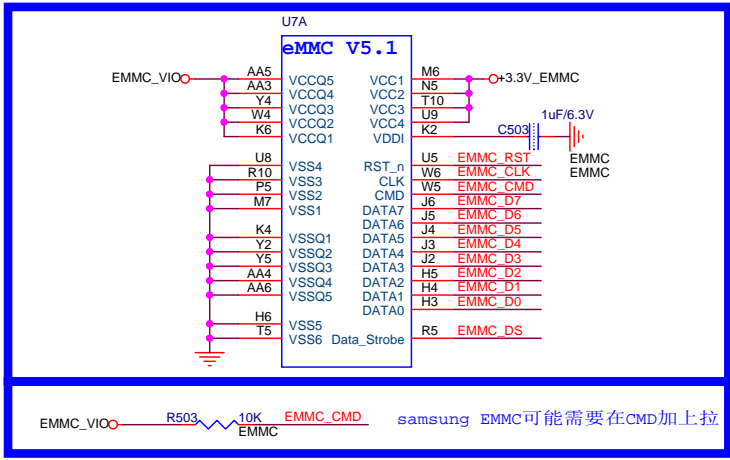
Nand



Power



eMMC

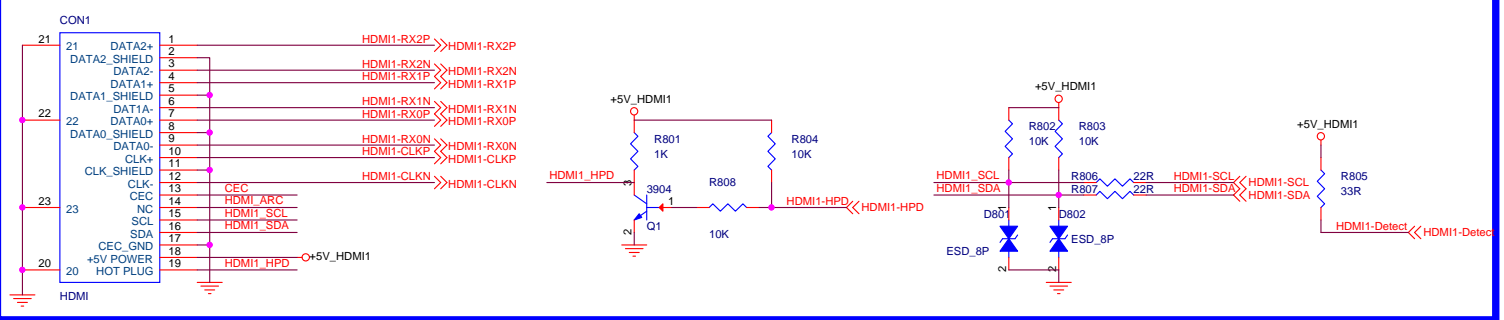


NET

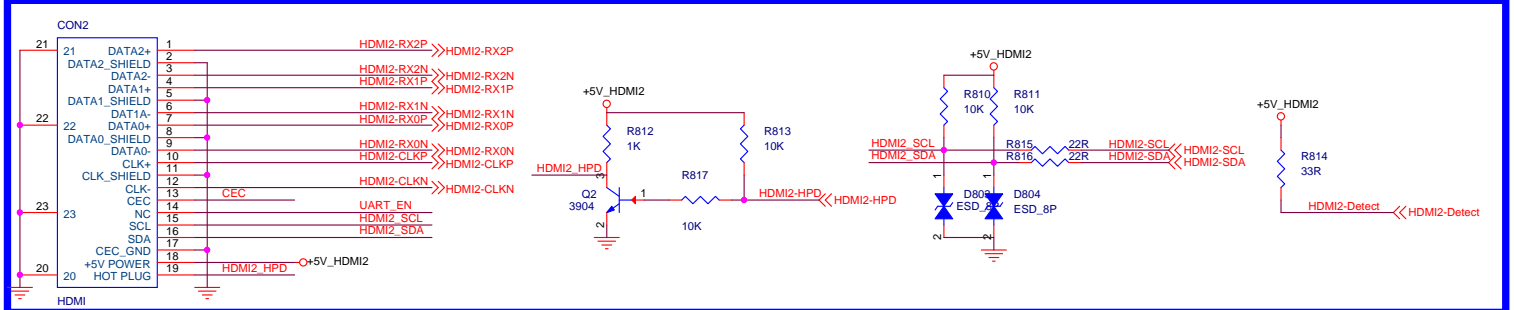


		Title	
		CV3686H-A50	
Size	Document Number	eMMC & NAND	
Customer	Date: Thursday, July 05, 2018		
Sheet		6	of 17
			Rev 13

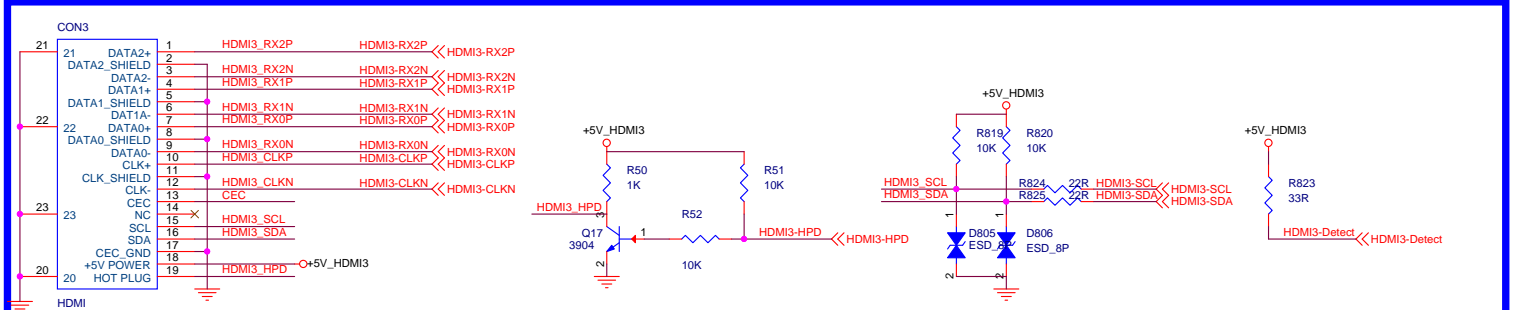
HDMI 3 (ARC)



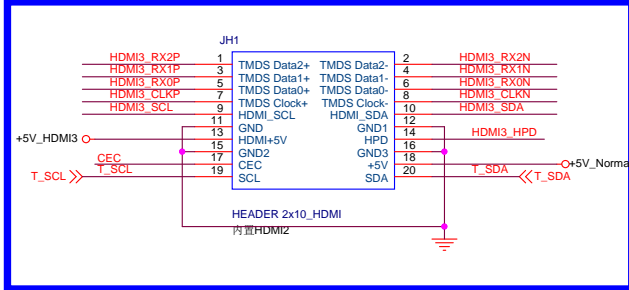
HDMI 2



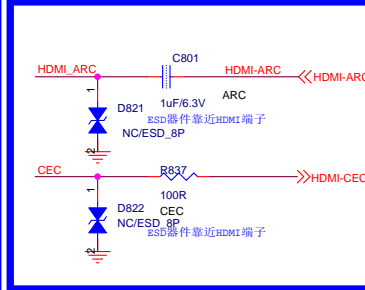
HDMI 1



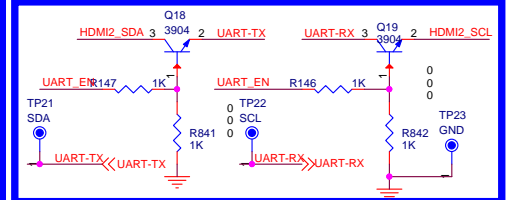
Internal HDMI



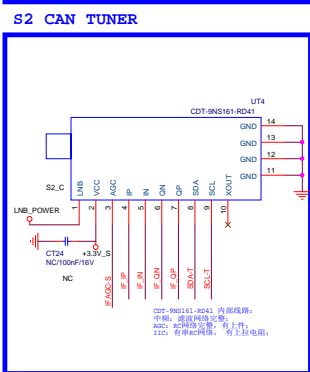
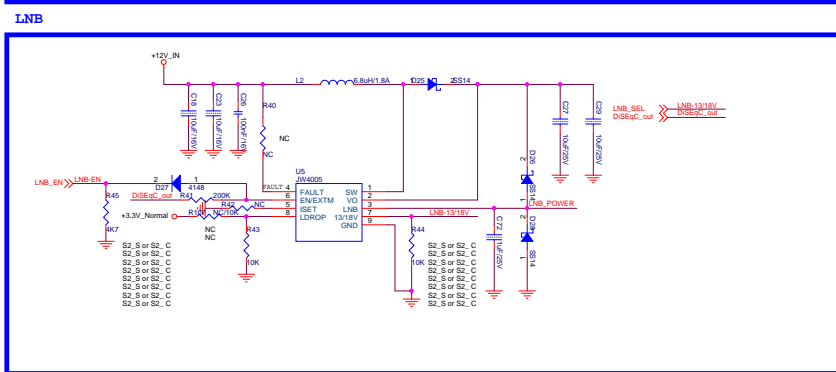
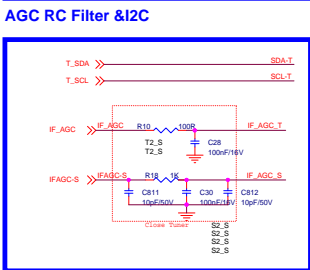
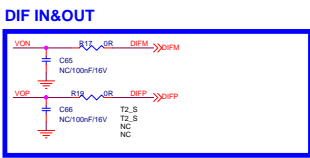
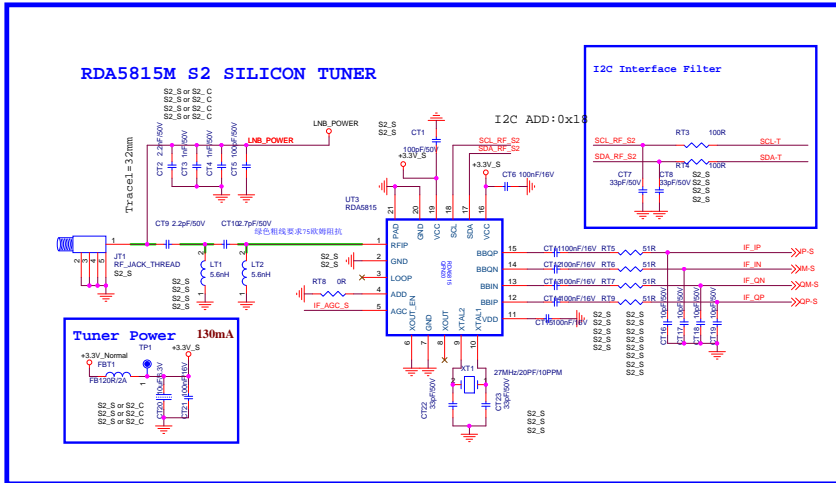
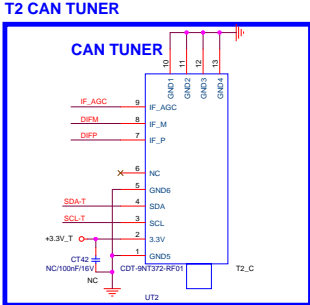
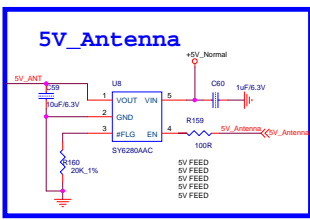
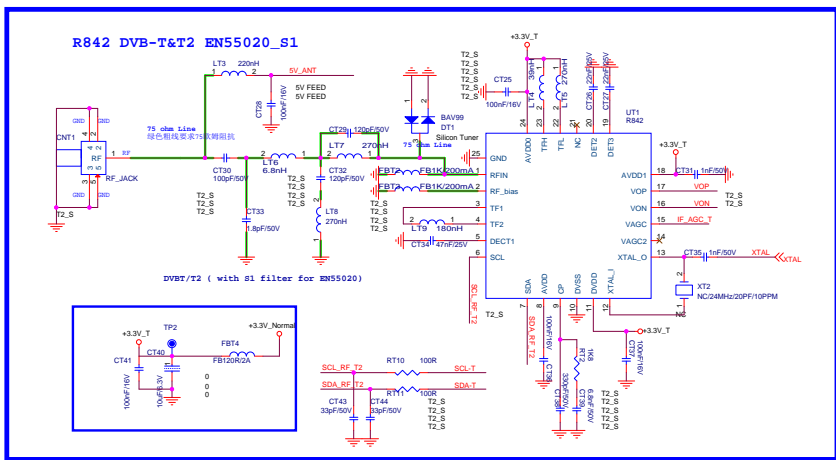
CEC & ARC



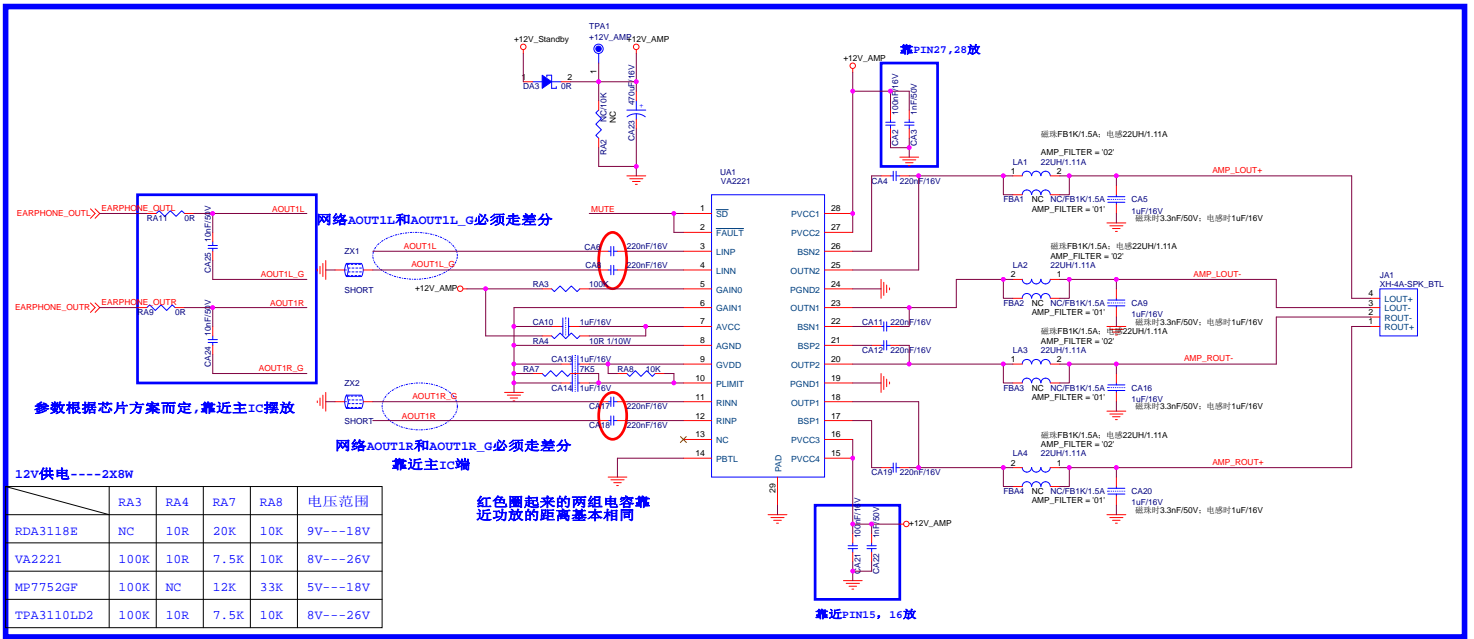
UART



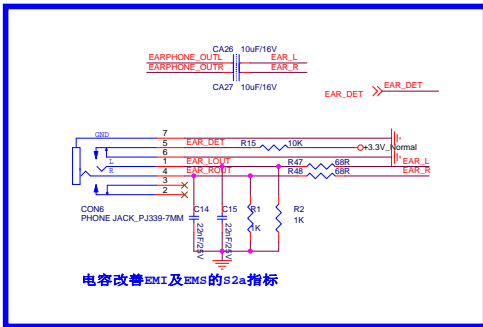
Cultraview		Title	
		CV3686H-A50	
Size	Document Number	HDMI	
Custom	Date:	Thursday, July 05, 2018	Sheet 8 of 17



Audio AMP



EARPHONE



MUTE

