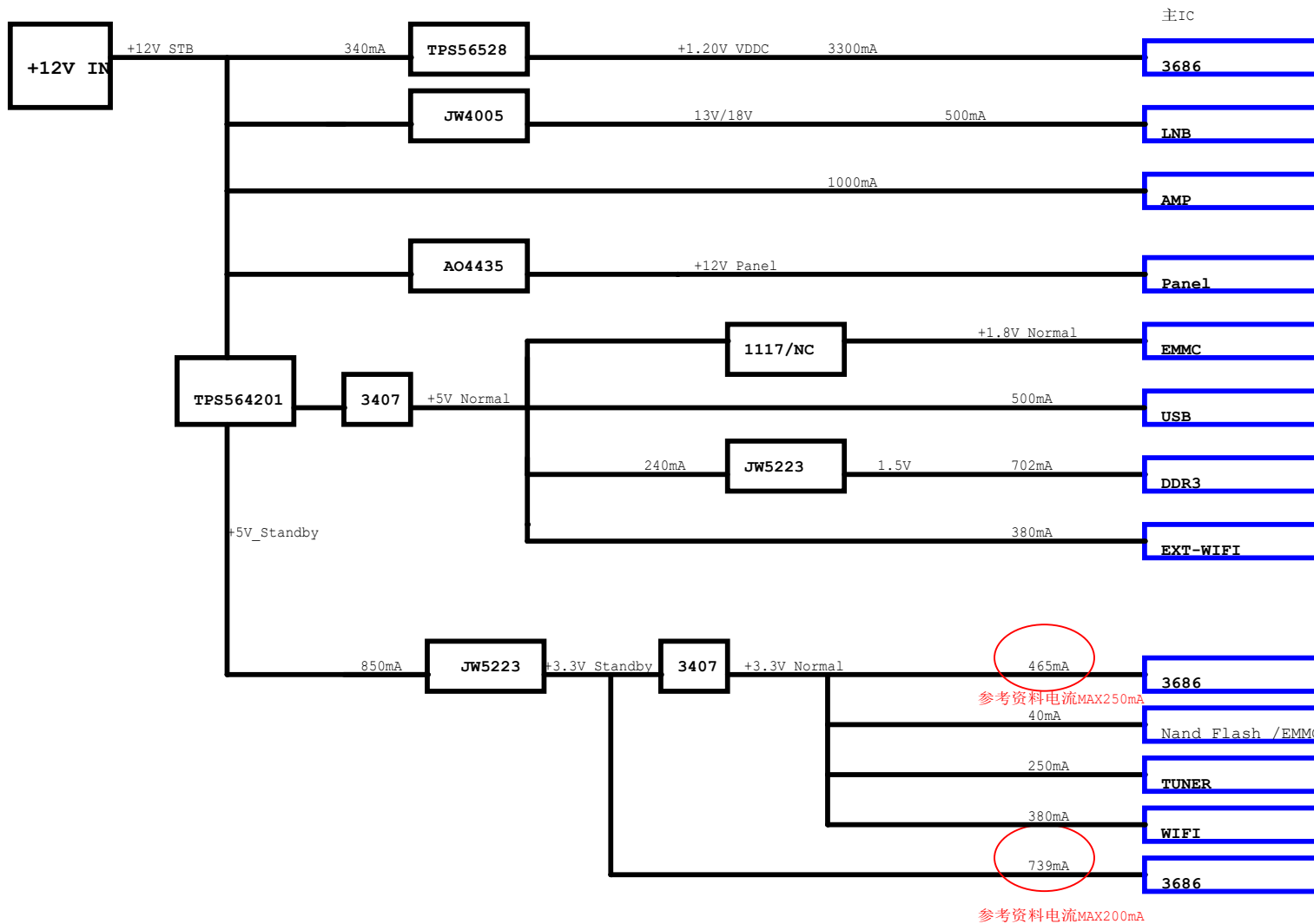
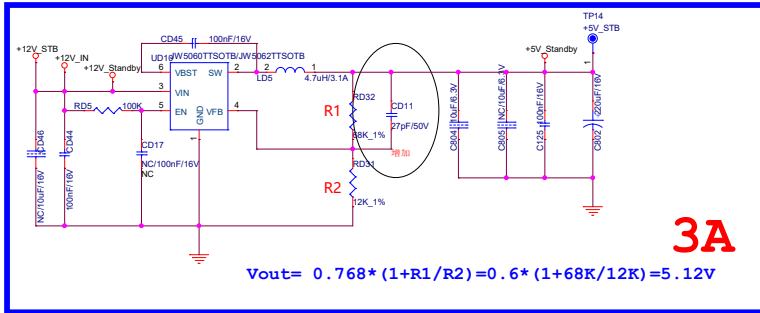
		Title CV3686H-B50	
Size A4	Document Number System Block	Rev 10	
Date: Friday, October 19, 2018		Sheet 0 of 17	



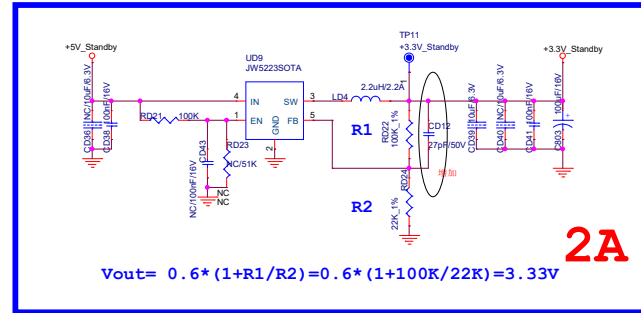
参考资料电流MAX250mA
 参考资料电流MAX200mA

		Title	
		CV3686H-B50	
Size	Document Number	Power Tree	
A4			Rev 10
Date:	Friday, October 19, 2018	Sheet	1 of 17

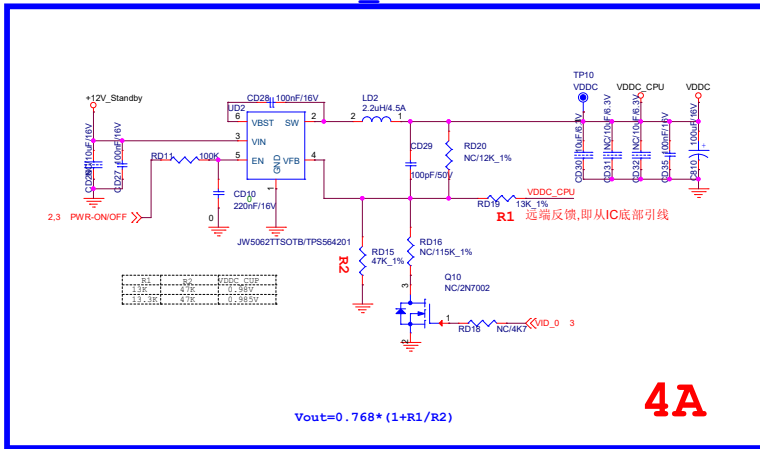
5V Standby



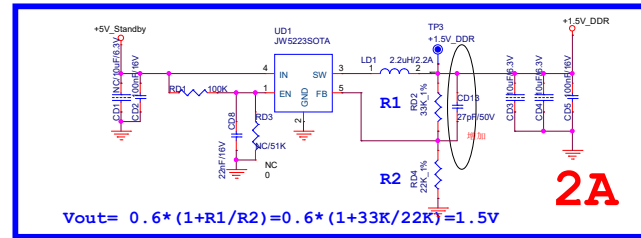
3.3V Standby



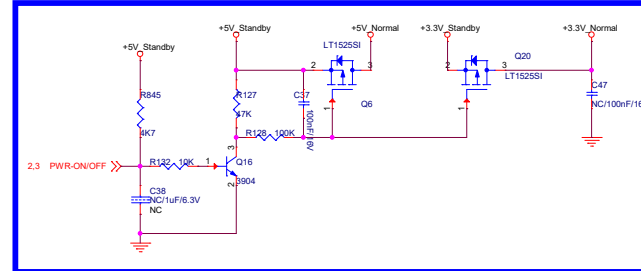
VDDC Power VDDC CPU Power



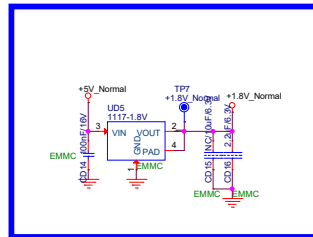
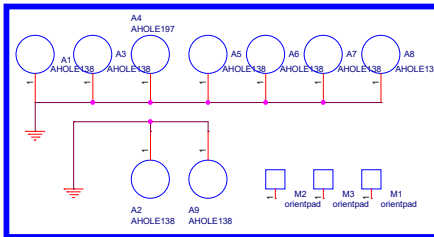
DDR Power

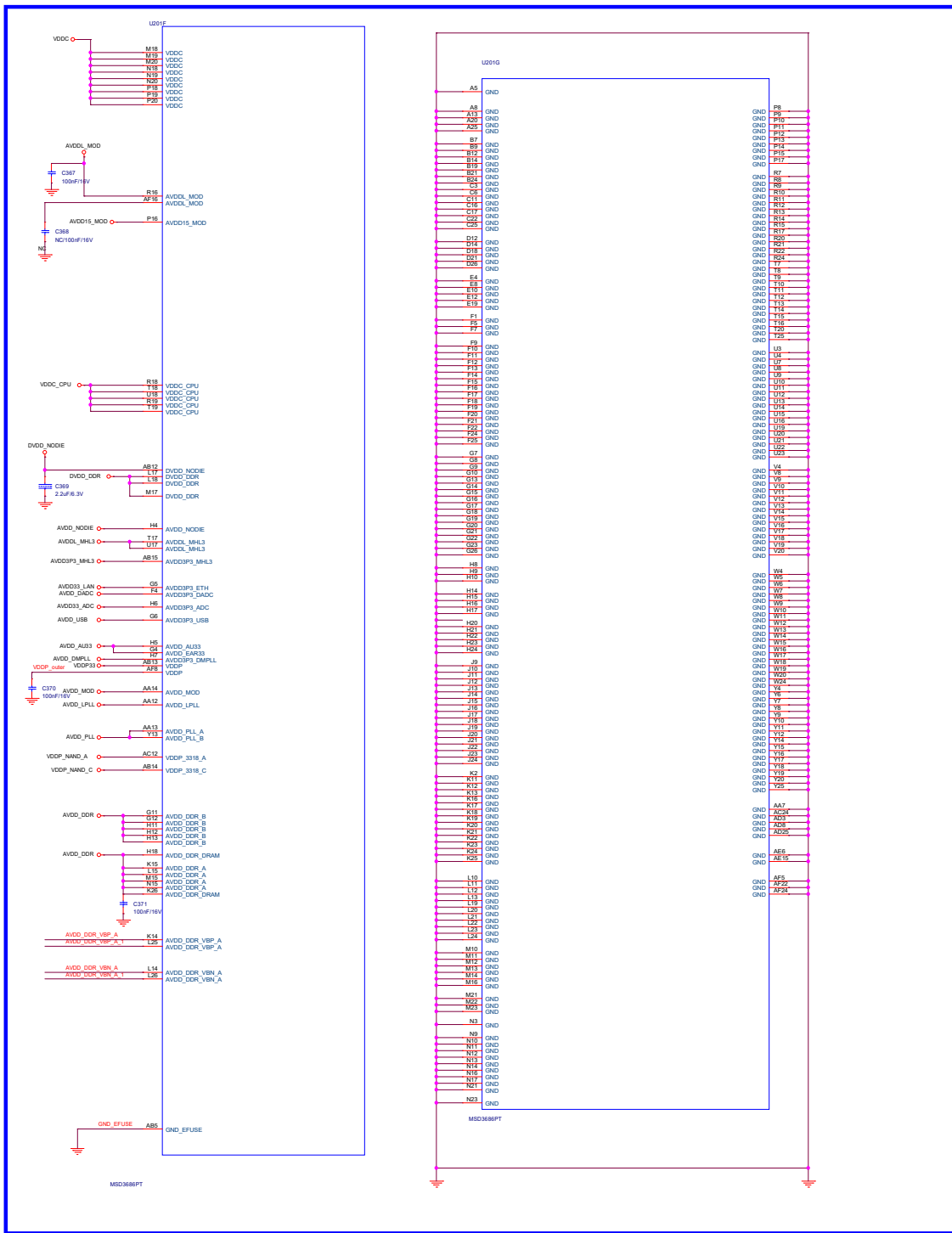


5V Normal 3.3V Normal

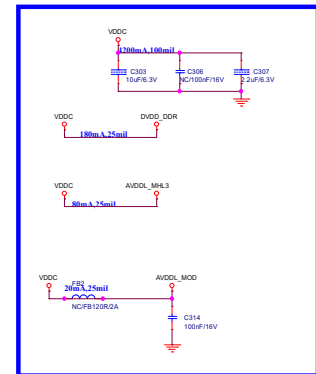


1.8V Normal

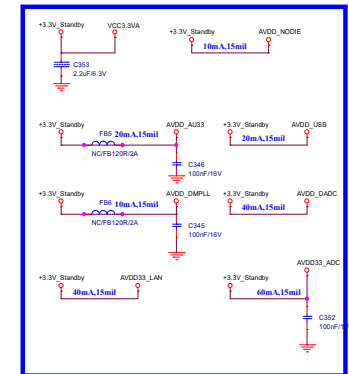




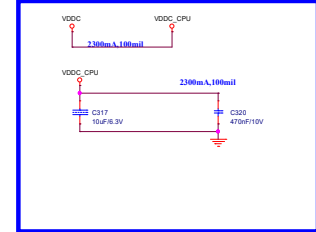
CORE Power



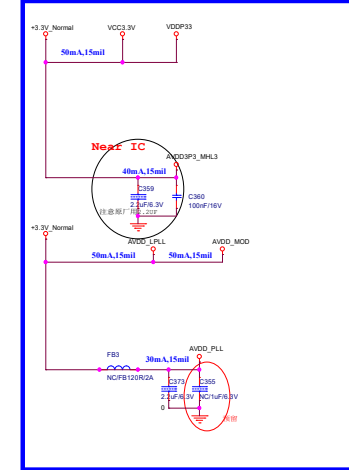
Standby Power 3.3V



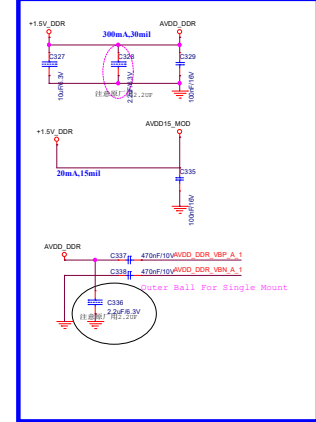
CPU Power



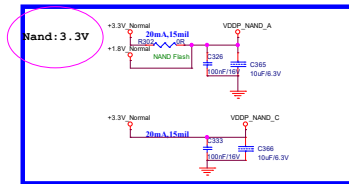
Normal Power 3.3V



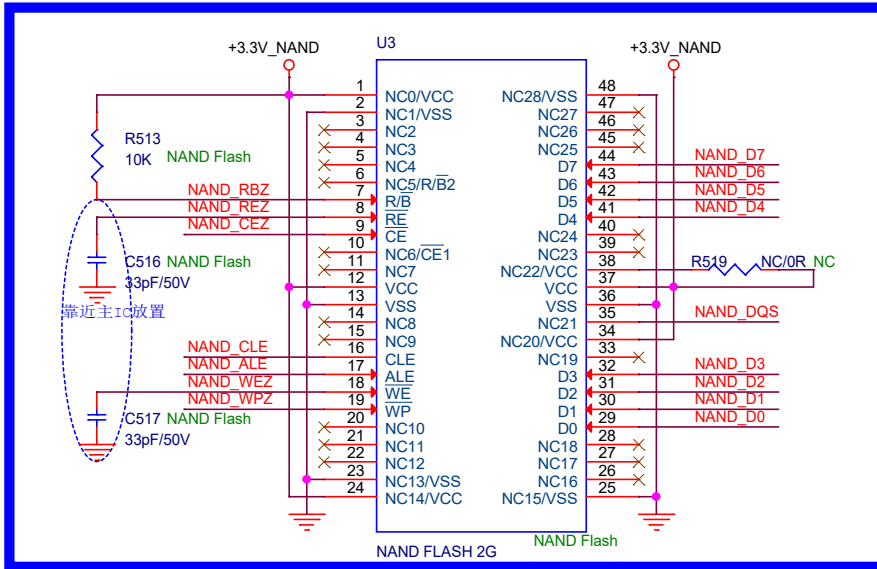
DDR3



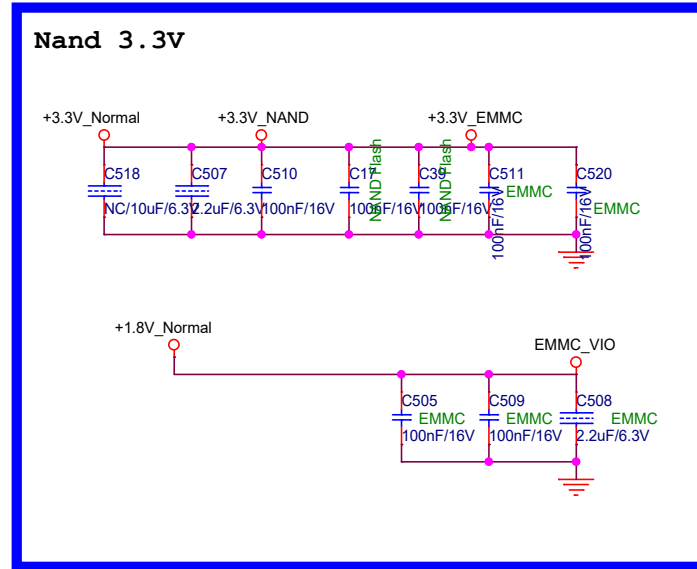
Nand Power



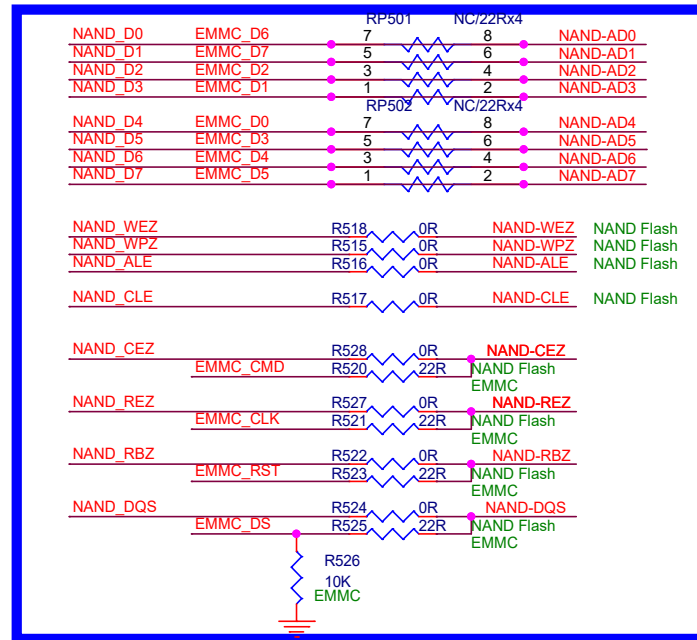
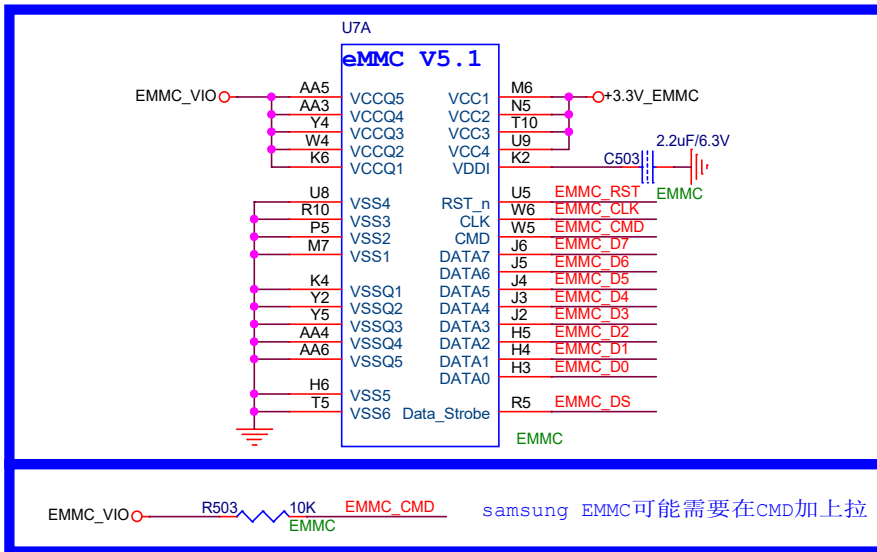
Nand



Power



eMMC



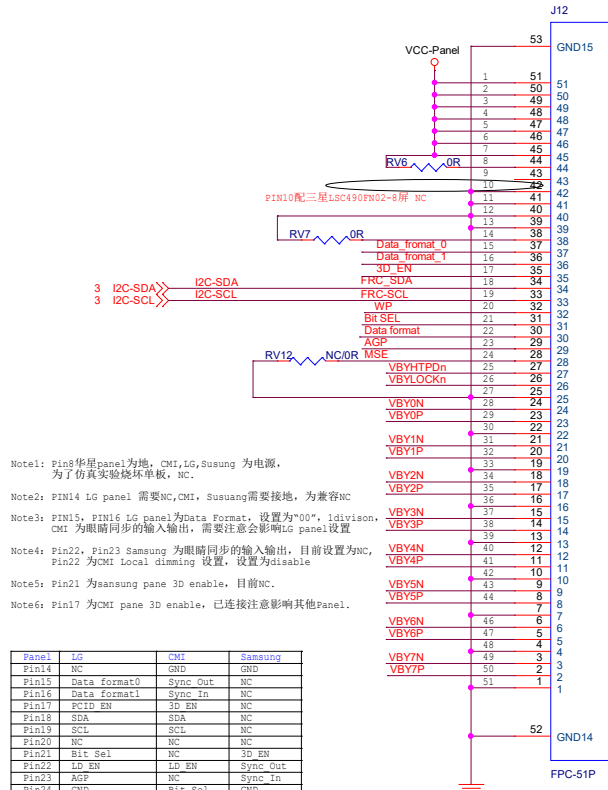
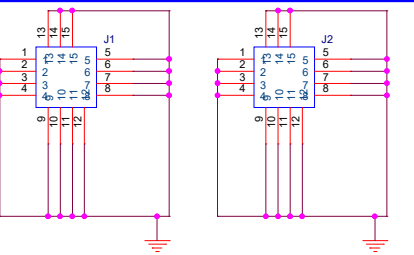
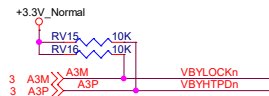
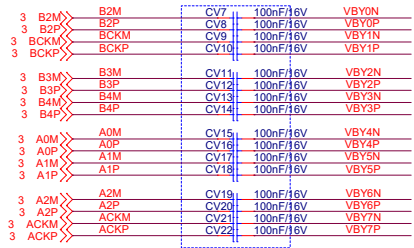
NET



Cultraview Title
CV3686H-B50

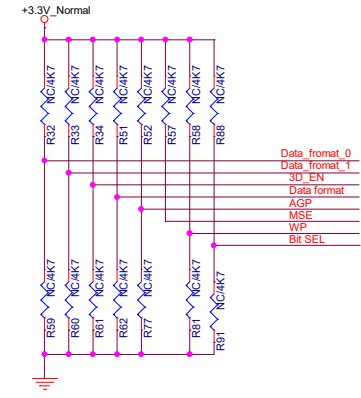
Size Document Number
Custom eMMC & NAND Rev 10

Date: Friday, October 19, 2018 Sheet 6 of 17

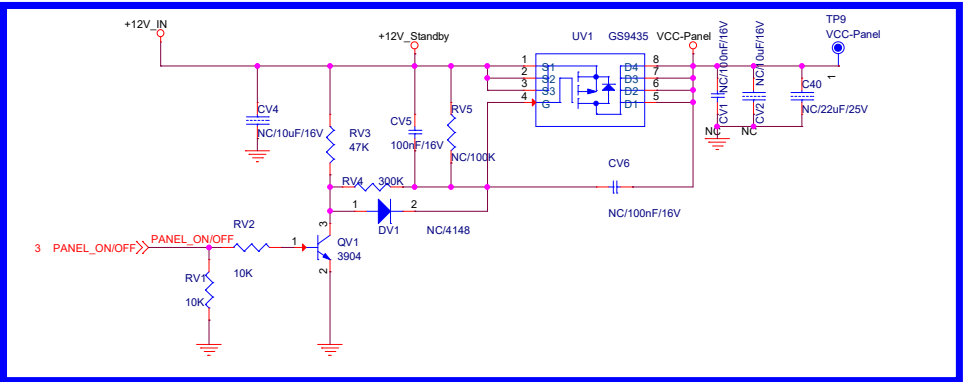


- Note1: Pin8 华星panel为地, CMI,IG,Samsung 为电源, 为了仿真实验烧坏单板, NC.
- Note2: Pin14 LG panel 需要NC,CMI, Samsung需要接地, 为兼容NC
- Note3: Pin15, Pin16 LG panel为Data Format, 设置为"00", 1division, CMI 为眼睛同步的输入输出, 需要注意会影响LG panel设置
- Note4: Pin22, Pin23 Samsung 为眼睛同步的输入输出, 目前设置为NC, Pin22 为CMI Local dimming 设置, 设置为disable
- Note5: Pin21 为samsung pane 3D enable, 目前NC.
- Note6: Pin17 为CMI pane 3D enable, 已连接注意影响其他panel.

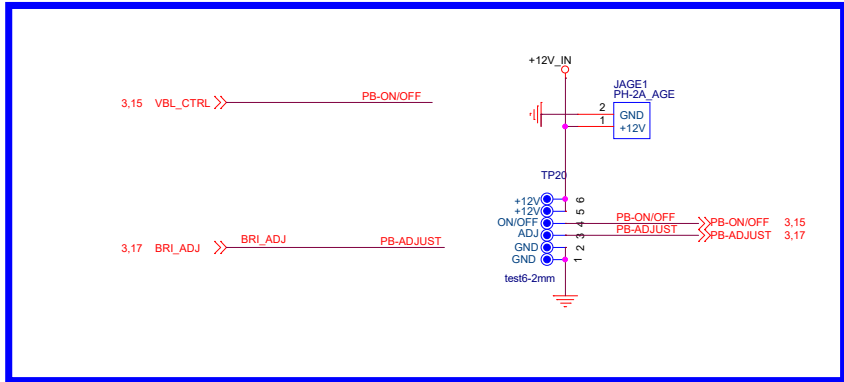
Panel	LG	CMI	Samsung
Pin14	NC	GND	GND
Pin15	Data format0	Sync Out	NC
Pin16	Data format1	Sync In	NC
Pin17	PCID_EN	3D_EN	NC
Pin18	SDA	SDA	NC
Pin19	SCL	SCL	NC
Pin20	NC	NC	NC
Pin21	Bit Sel	NC	3D_EN
Pin22	LD_EN	LD_EN	Sync Out
Pin23	AGP	NC	Sync In
Pin24	GND	Bit Sel	GND



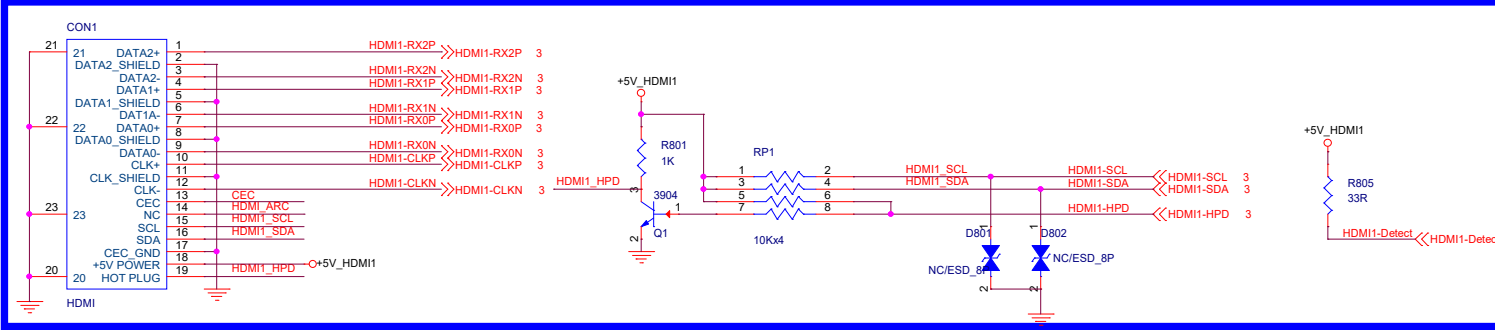
PANEL POWER



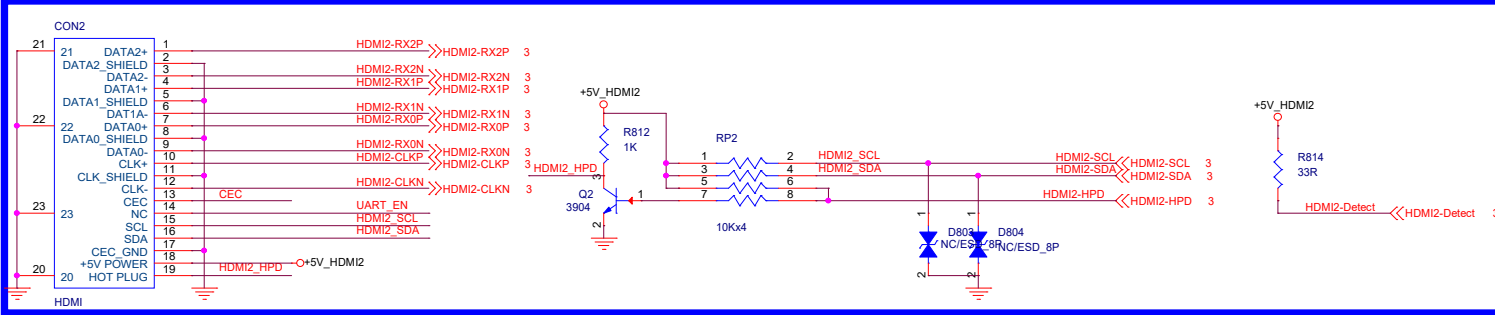
INVERTER



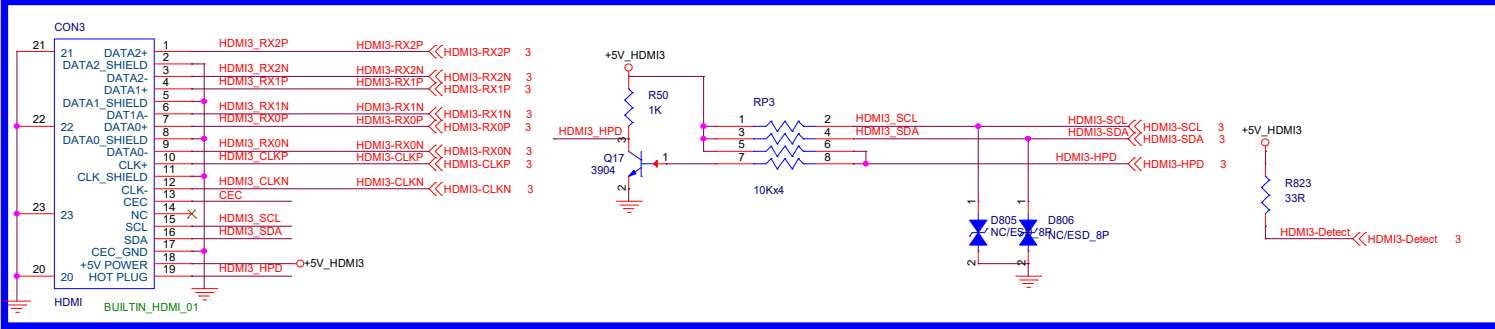
HDMI 3 (ARC)



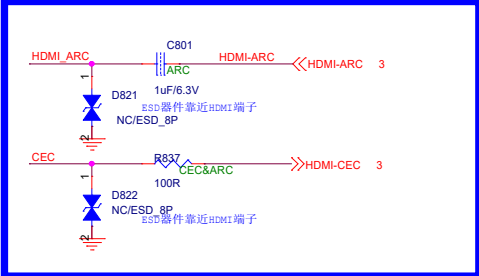
HDMI 2



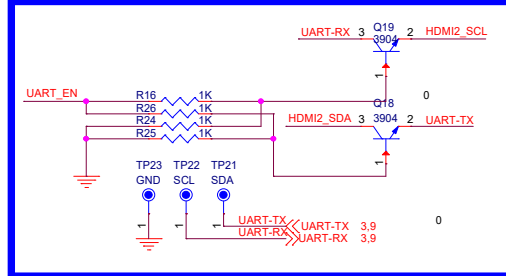
HDMI 1



CEC & ARC

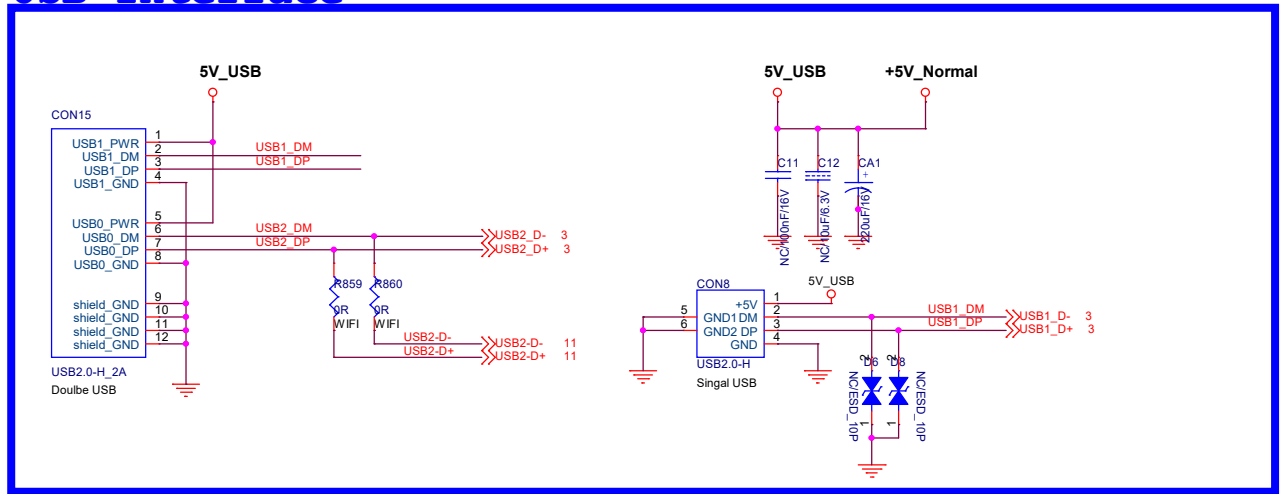


UART

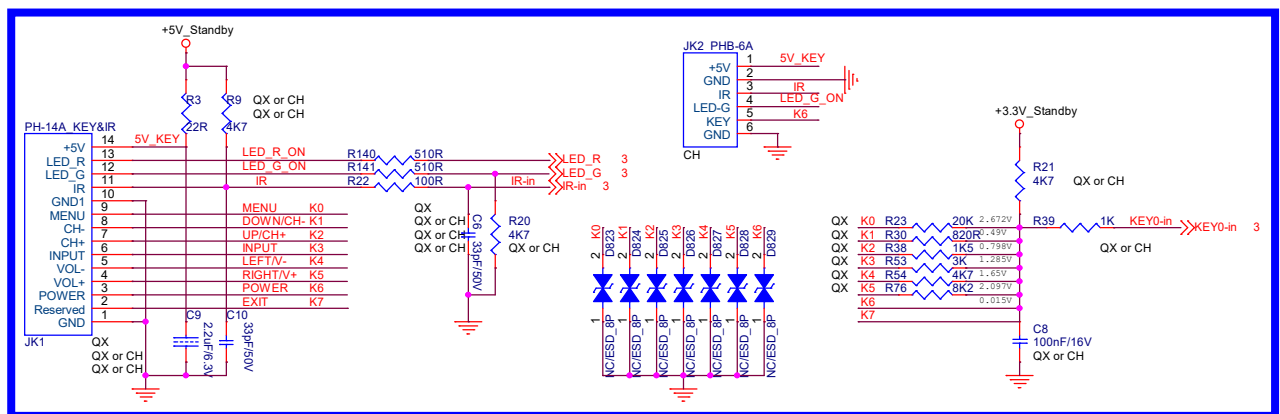


Cultraview		Title	
		CV3686H-B50	
Size	Document Number	Rev	
Custom	HDMI	10	
Date:	Wednesday, December 19, 2018	Sheet	8 of 17

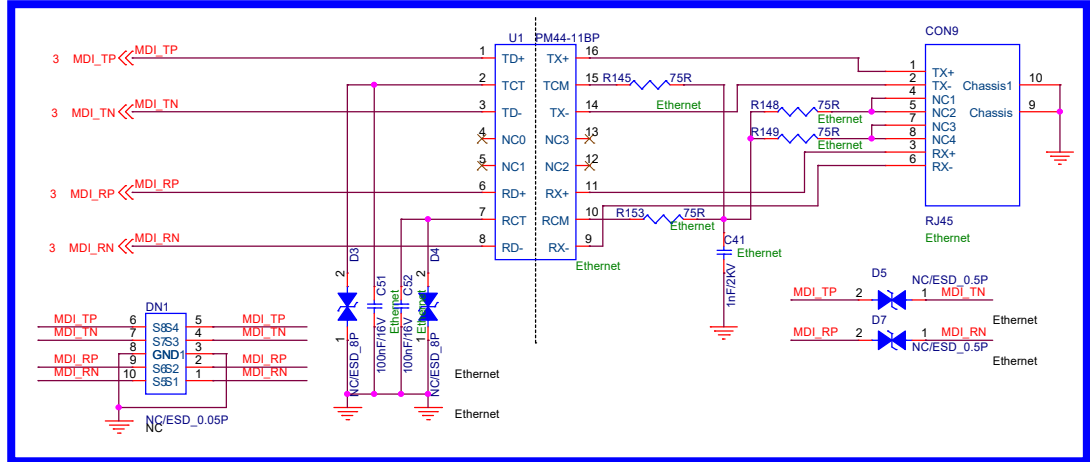
USB Interface



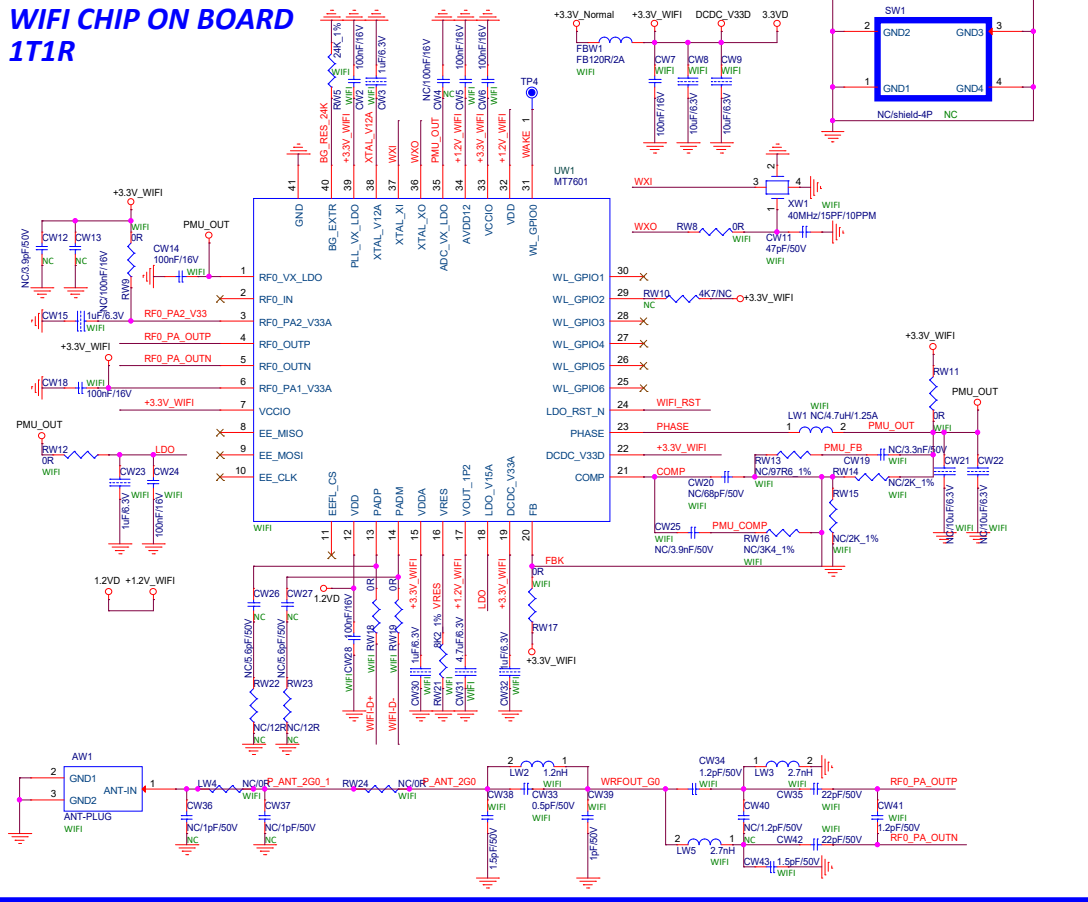
IR&KEY



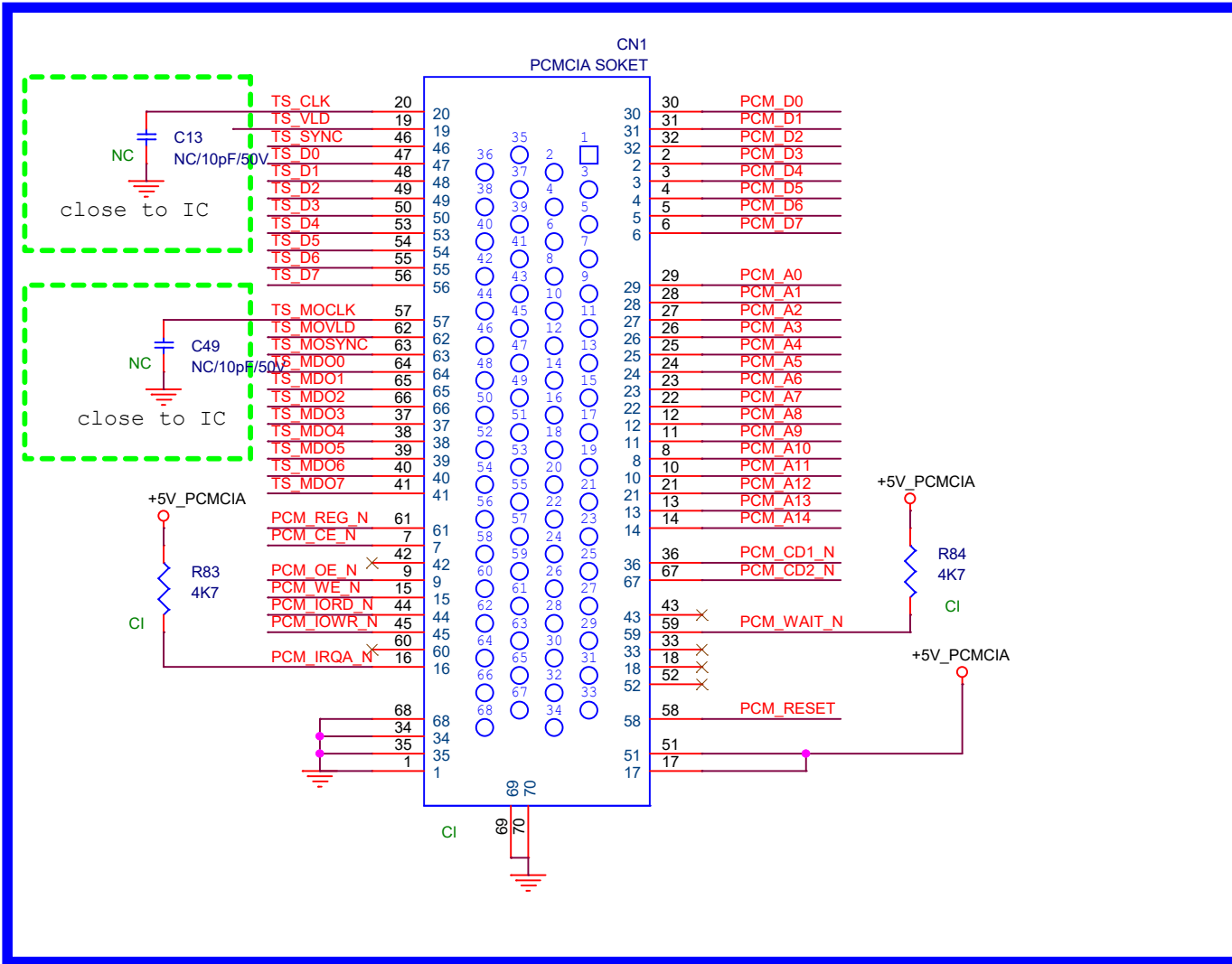
Ethernet



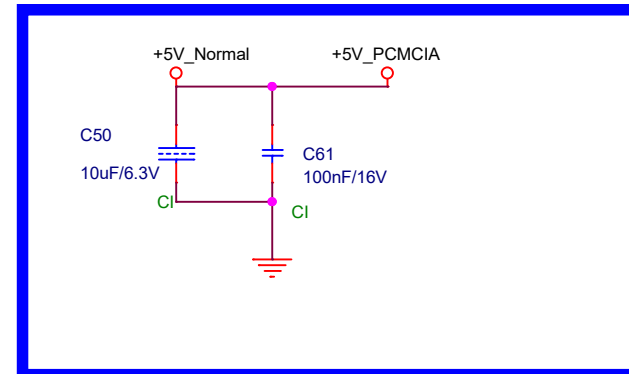
WIFI CHIP ON BOARD 1T1R



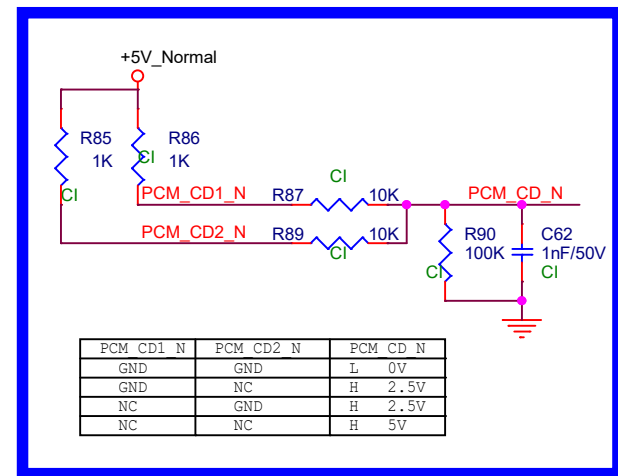
PCMCIA



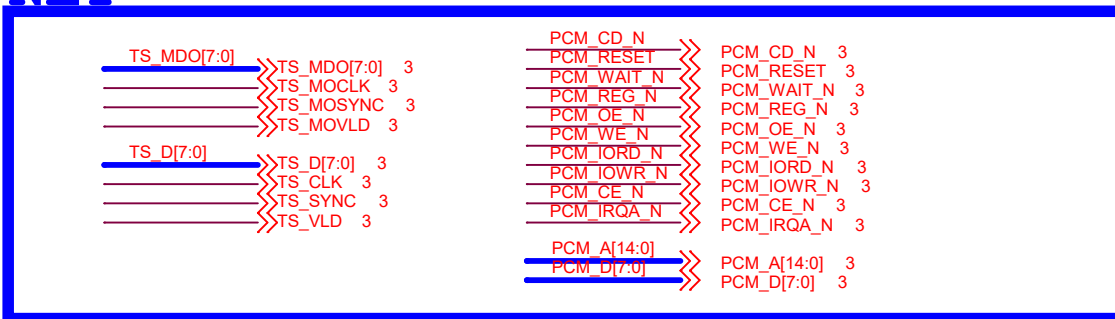
PCMCIA POWER



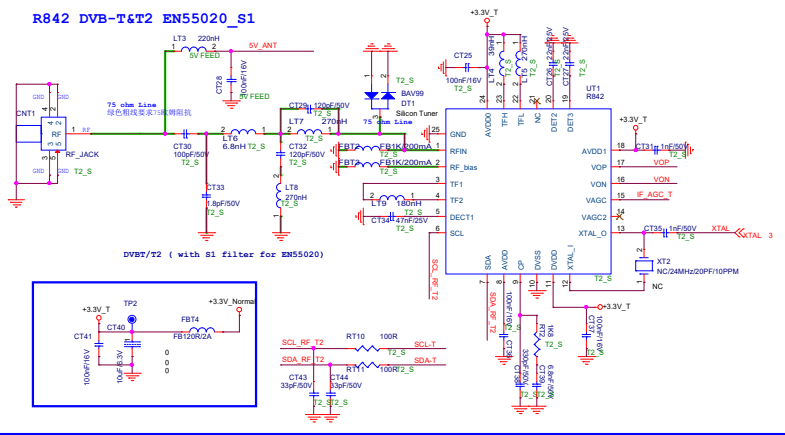
CARD DETECT



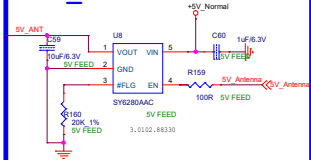
NET



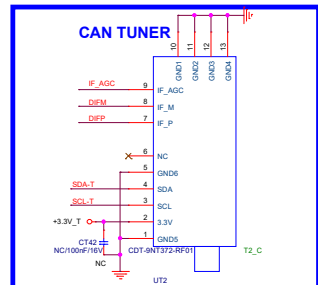
R842 DVB-T&T2 EN55020_S1



5V_Antenna



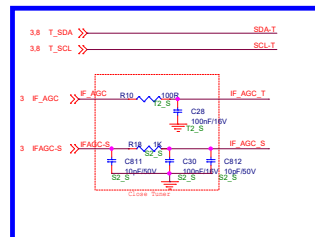
T2 CAN TUNER



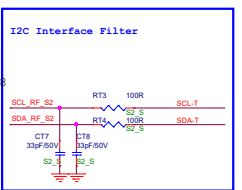
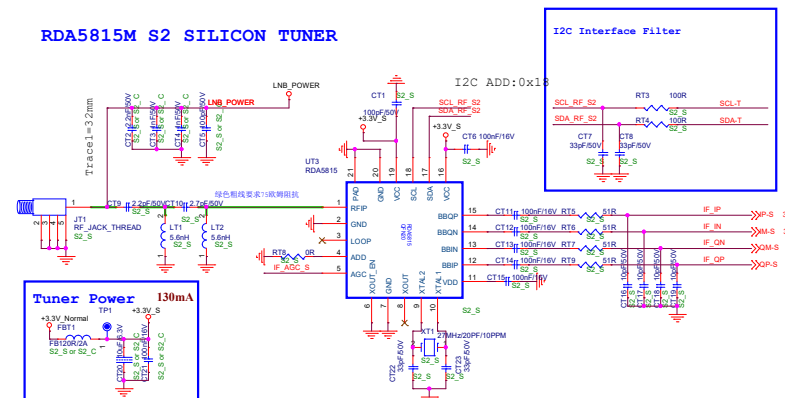
DIF IN&OUT



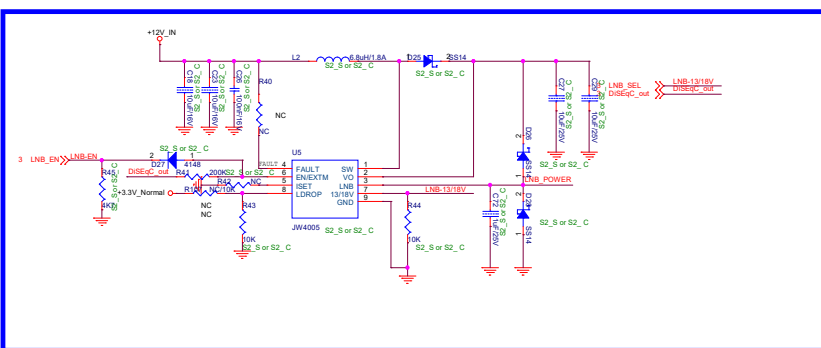
AGC RC Filter & I2C



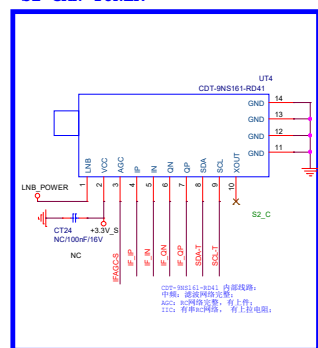
RDA5815M S2 SILICON TUNER



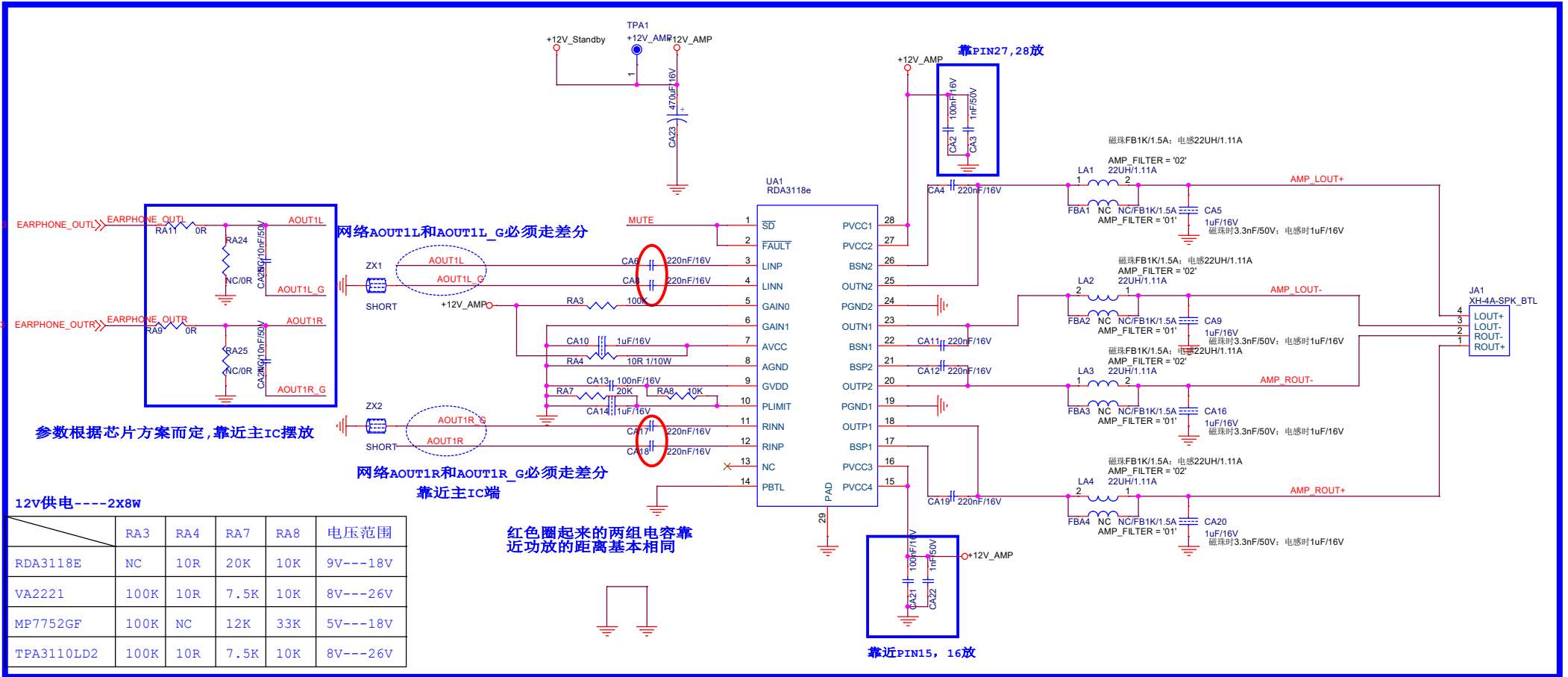
LNB



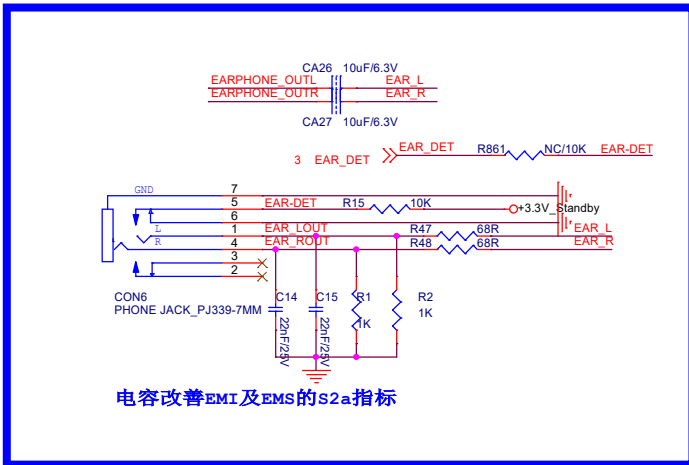
S2 CAN TUNER



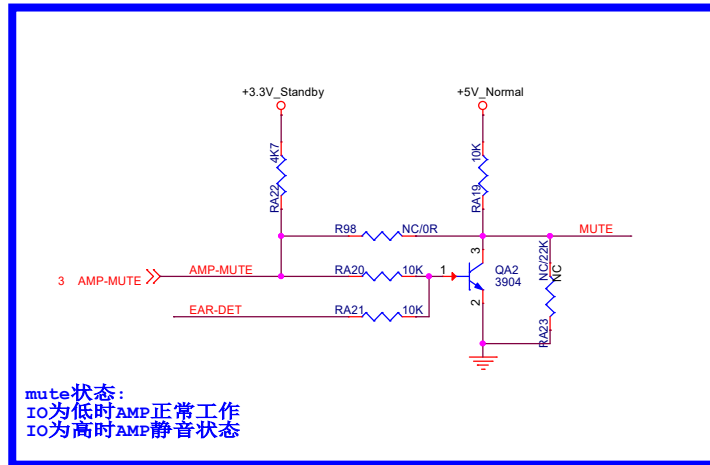
Audio AMP

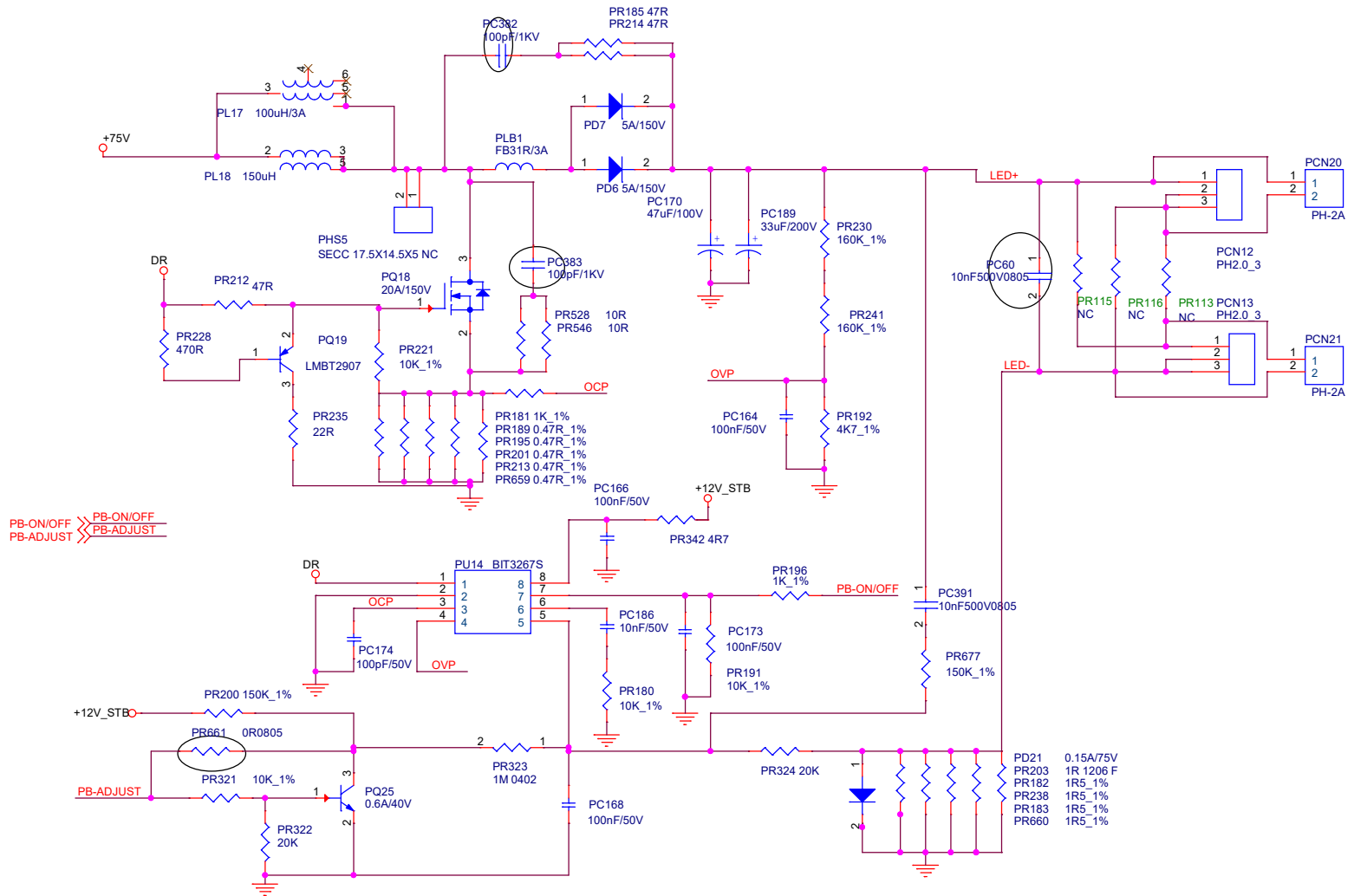


EARPHONE



MUTE





		Title	
		CV3686H-B50	
Size	Document Number	BACKLIGHT	Rev
B			10
Date: Wednesday, December 19, 2018 Sheet 15 of 17			

